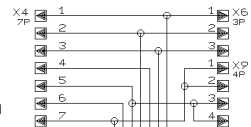


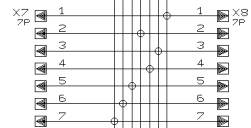
METER BRIDGE
 (for BA6822 METERBOARDS ONLY !!!)



to METER BRIDGE (STANDARD)

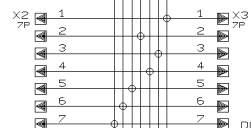
to EXPANDER PCB

to EURO02

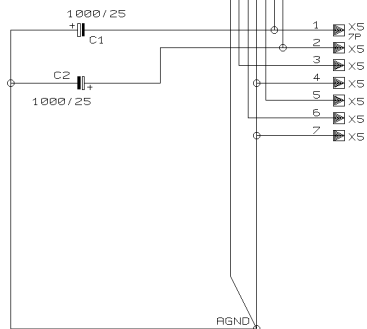


to EURO03

to EURO03



to EURO03



AMP-MAIN CONNECTOR

REVISIONS

C

DRAWN

CHECKED

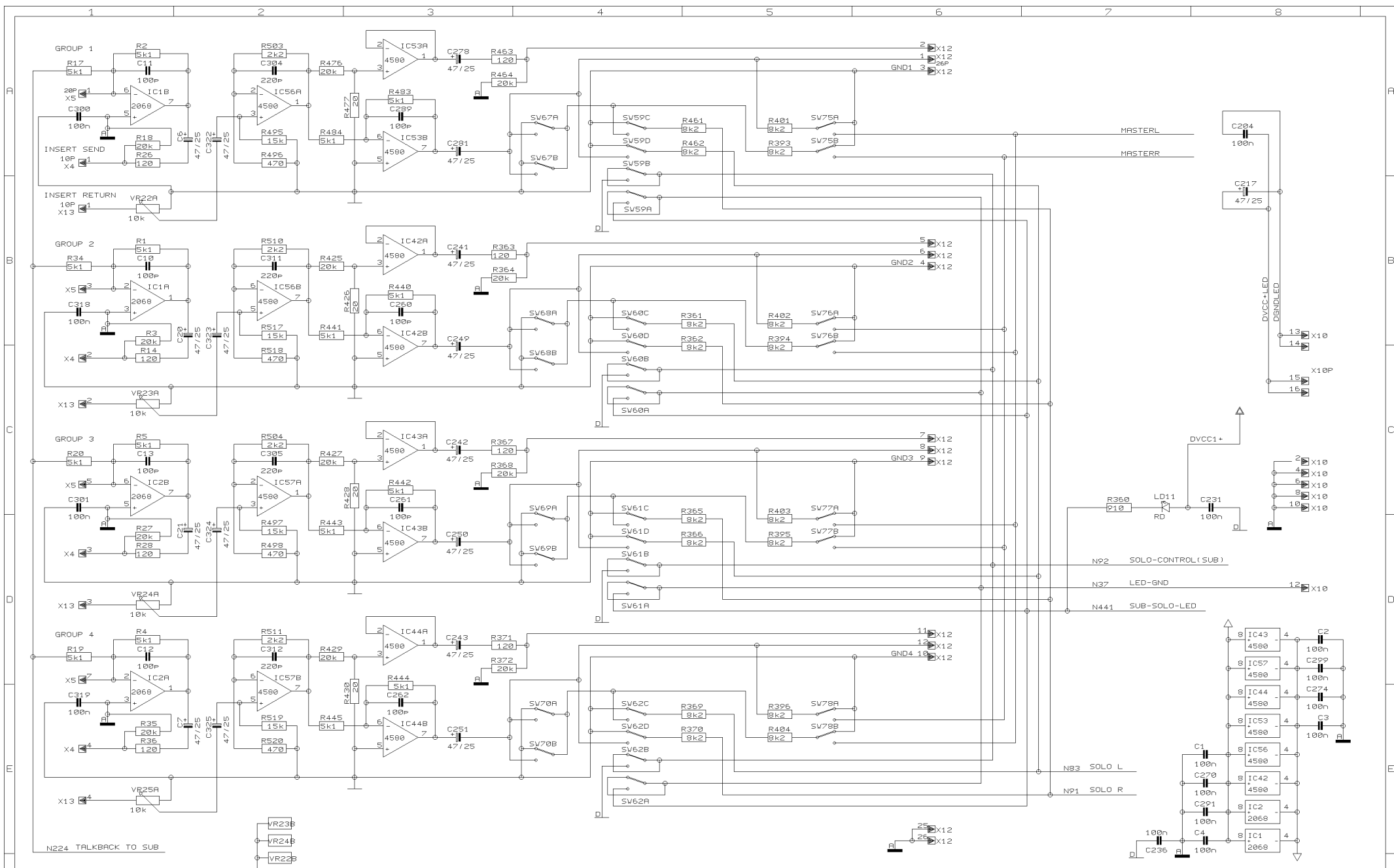
DATE 05.02. 1
9:10

BEHRINGER®

Specialized Studio Equipment

PROJECT
 EURO01
 MX9000
 POWER DISTRIBUTION

SHEET 1 OF 1 SHEETS TOTAL



REVISIONS E (23/07/01)

DRAWN R

CHECKED

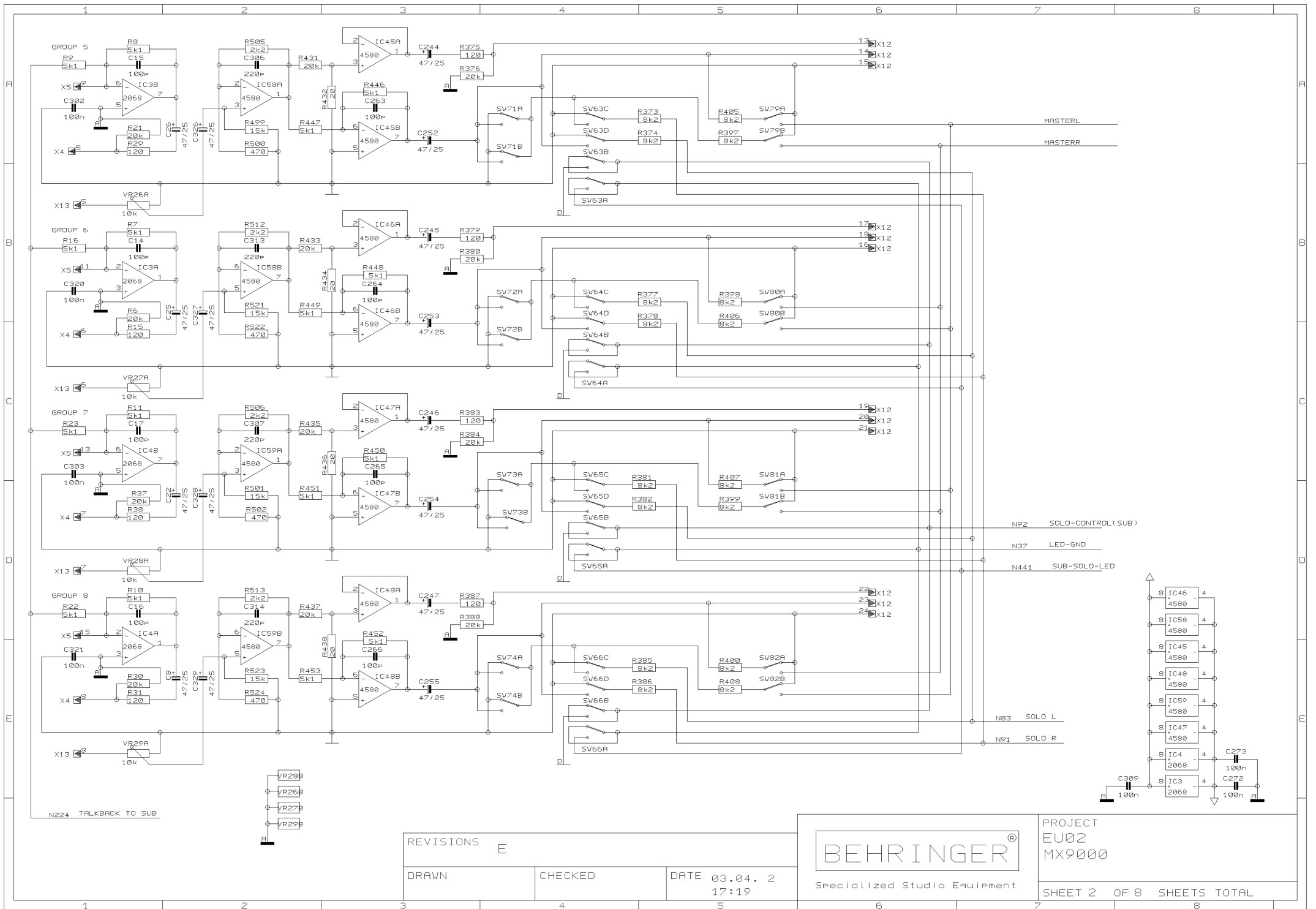
DATE 03.04. 2
17:19

BEHRINGER®

Specialized Studio Equipment

PROJECT
EU02
MX9000

SHEET 1 OF 8 SHEETS TOTAL

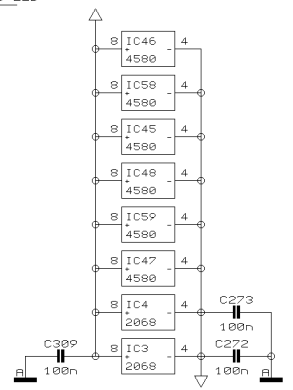


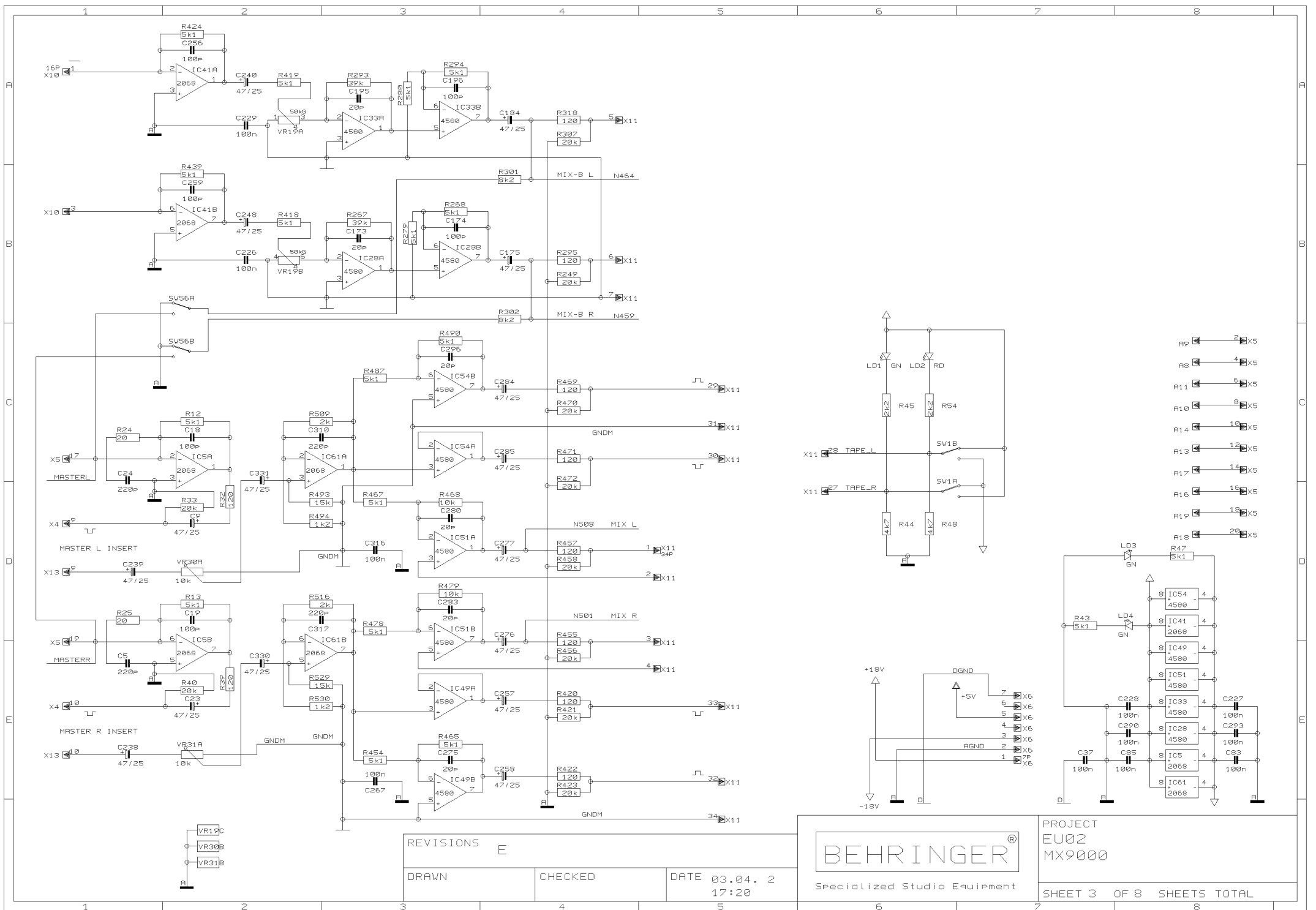
REVISIONS		
E		
DRAWN	CHECKED	DATE 03.04. 2 17:19



PROJECT
EU02
MX9000

SHEET 2 OF 8 SHEETS TOTAL

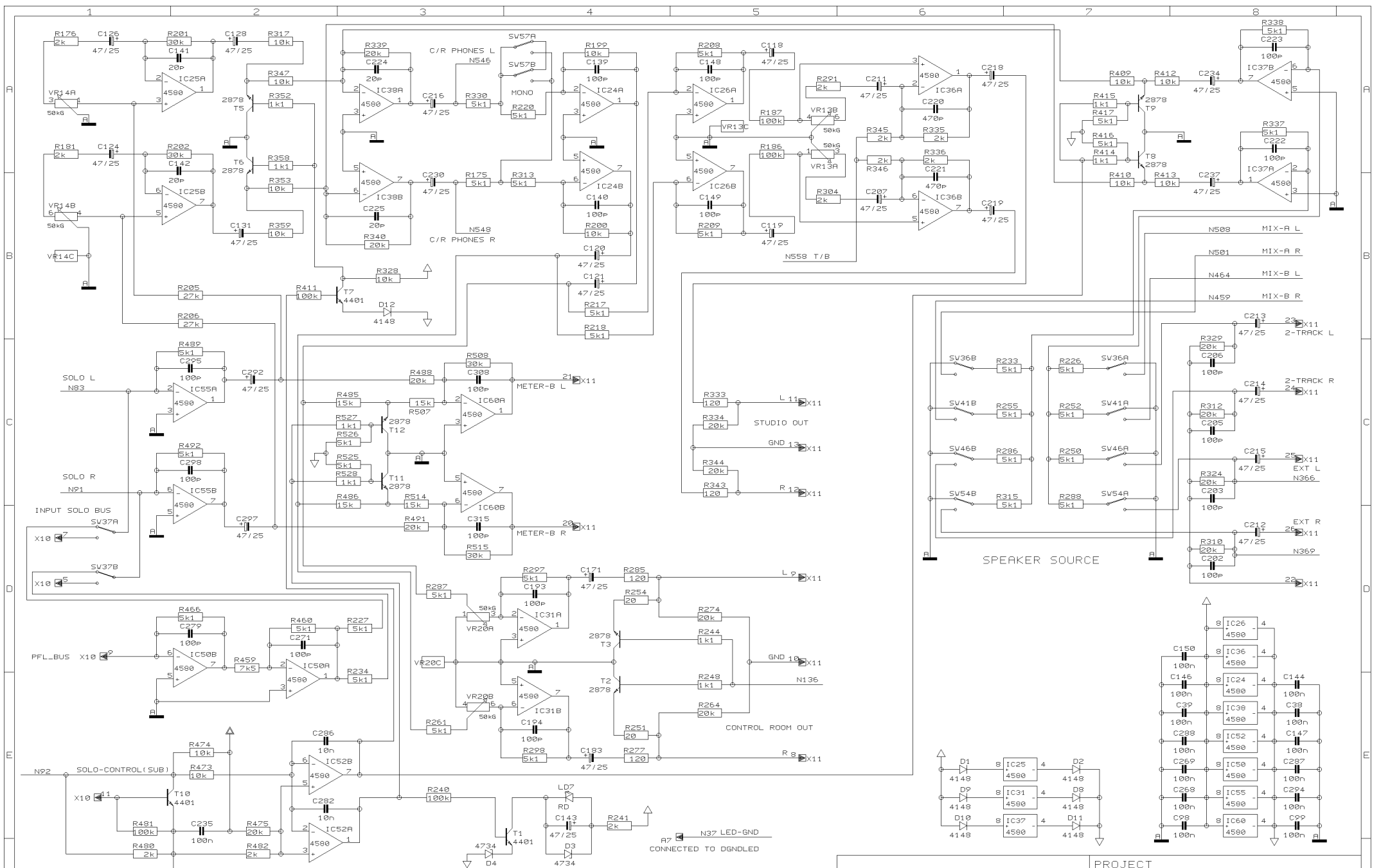




REVISIONS		
E		
DRAWN	CHECKED	DATE 03.04. 2 17:20


 Specialized Studio Equipment

PROJECT
 EU02
 MX9000
 SHEET 3 OF 8 SHEETS TOTAL



REVISIONS E

DRAWN

CHECKED

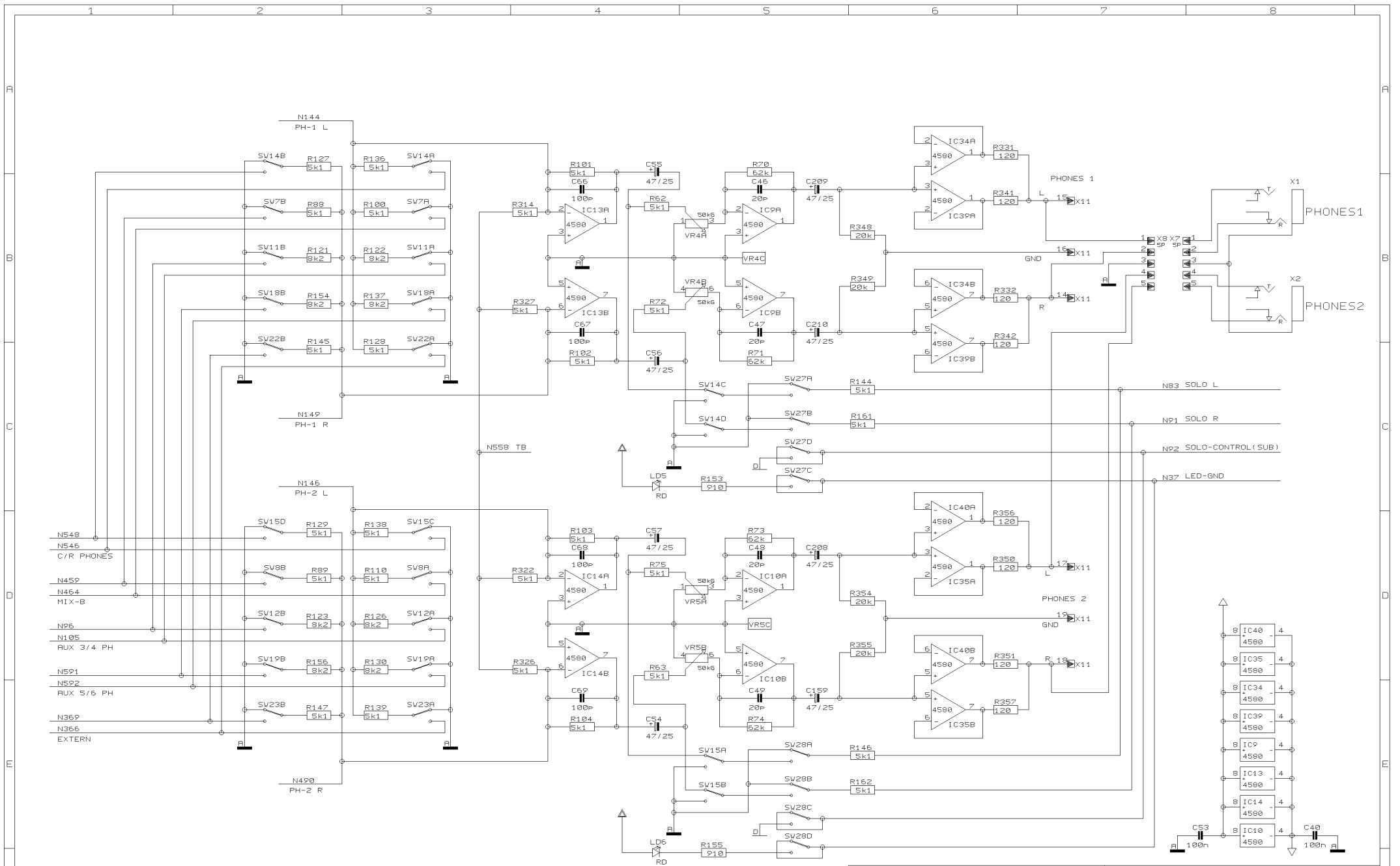
DATE 03.04. 2
17:20

BEHRINGER®

Specialized Studio Equipment

PROJECT
EU02
MX9000

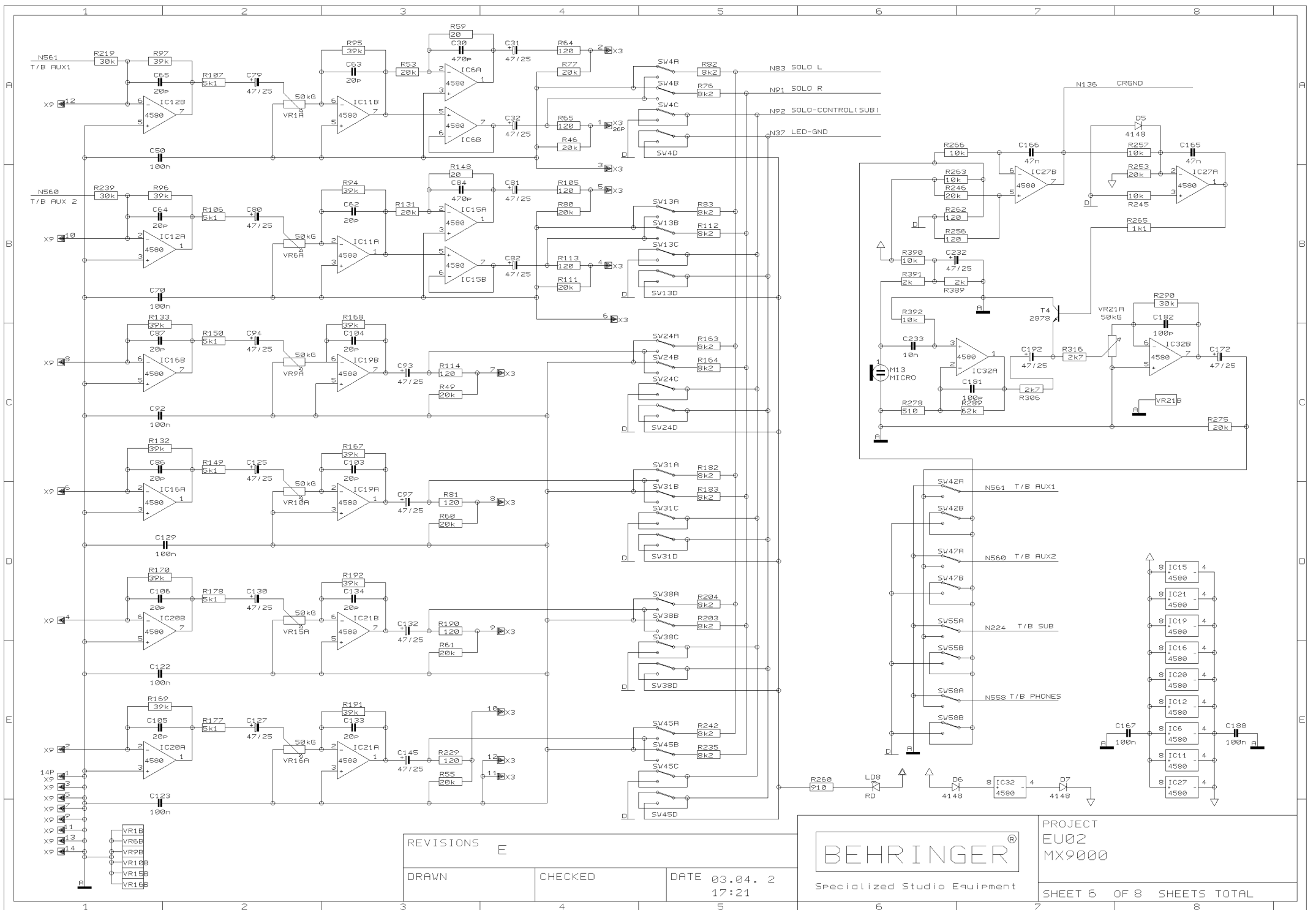
SHEET 4 OF 8 SHEETS TOTAL



REVISIONS		
E		
DRAWN	CHECKED	DATE 03.04. 2 17:21


 Specialized Studio Equipment

PROJECT
 EU02
 MX9000
 SHEET 5 OF 8 SHEETS TOTAL



REVISIONS E

DRAWN

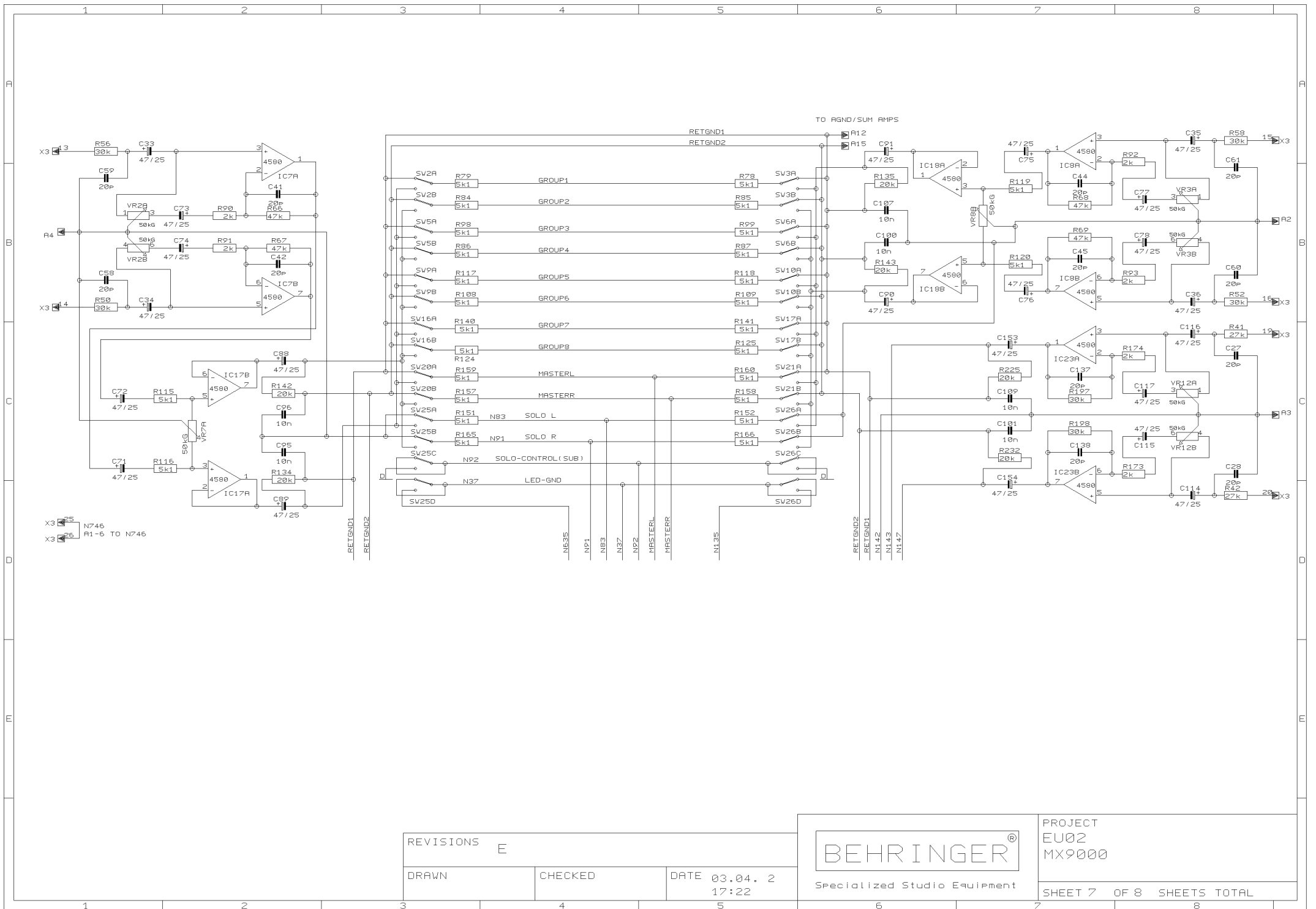
CHECKED

DATE 03.04. 2
17:21



PROJECT
EU02
MX9000

SHEET 6 OF 8 SHEETS TOTAL



REVISIONS

E

DRAWN

CHECKED

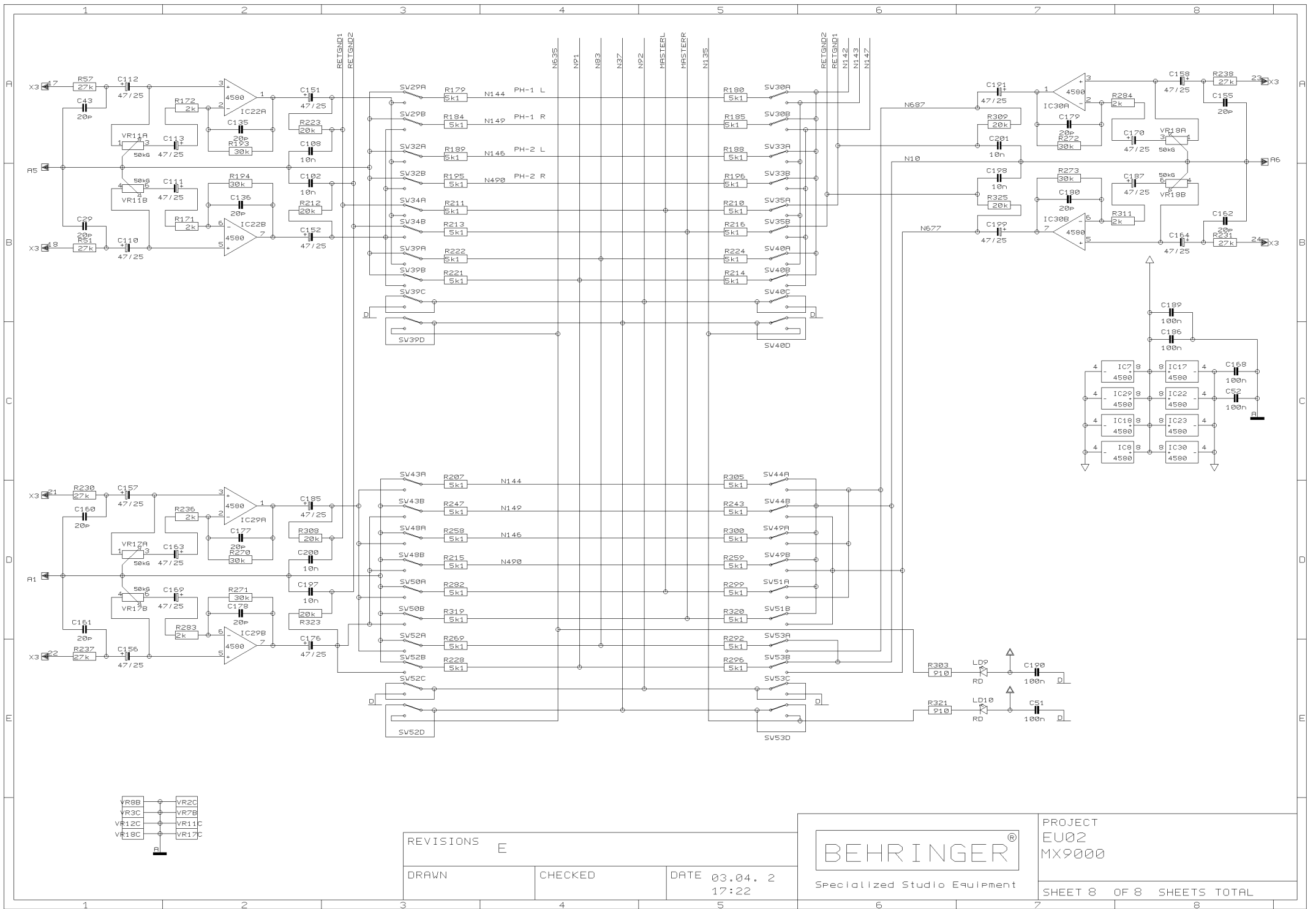
DATE 03.04. 2
17:22

BEHRINGER®

Specialized Studio Equipment

PROJECT
EU02
MX9000

SHEET 7 OF 8 SHEETS TOTAL

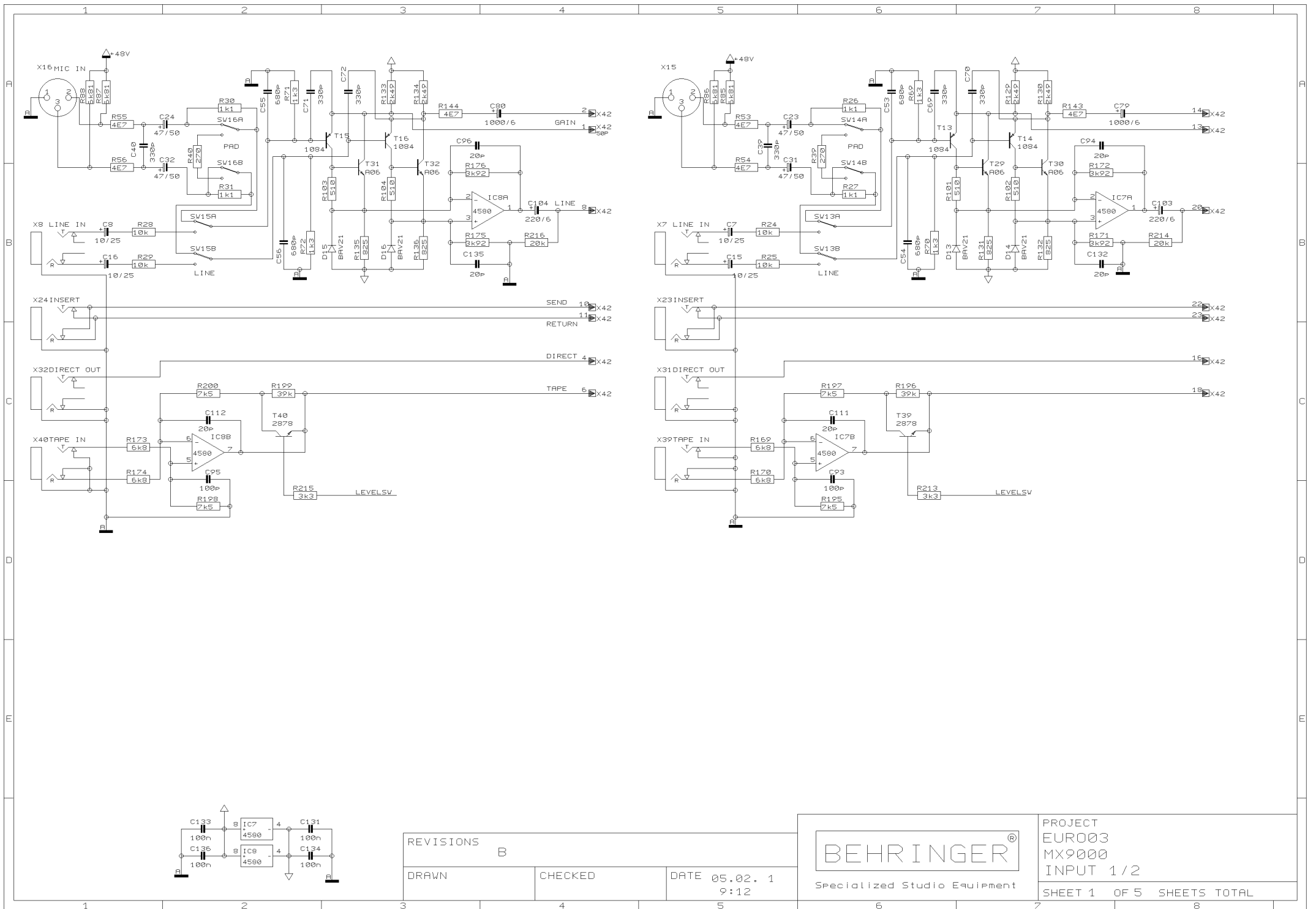


- VR9B
- VR10C
- VR11C
- VR12C
- VR13C
- VR14C
- VR15C
- VR16C
- VR17C

REVISIONS E		
DRAWN	CHECKED	DATE 03.04. 2 17:22


 Specialized Studio Equipment

PROJECT EU02 MX9000
SHEET 8 OF 8 SHEETS TOTAL



REVISIONS

B

DRAWN

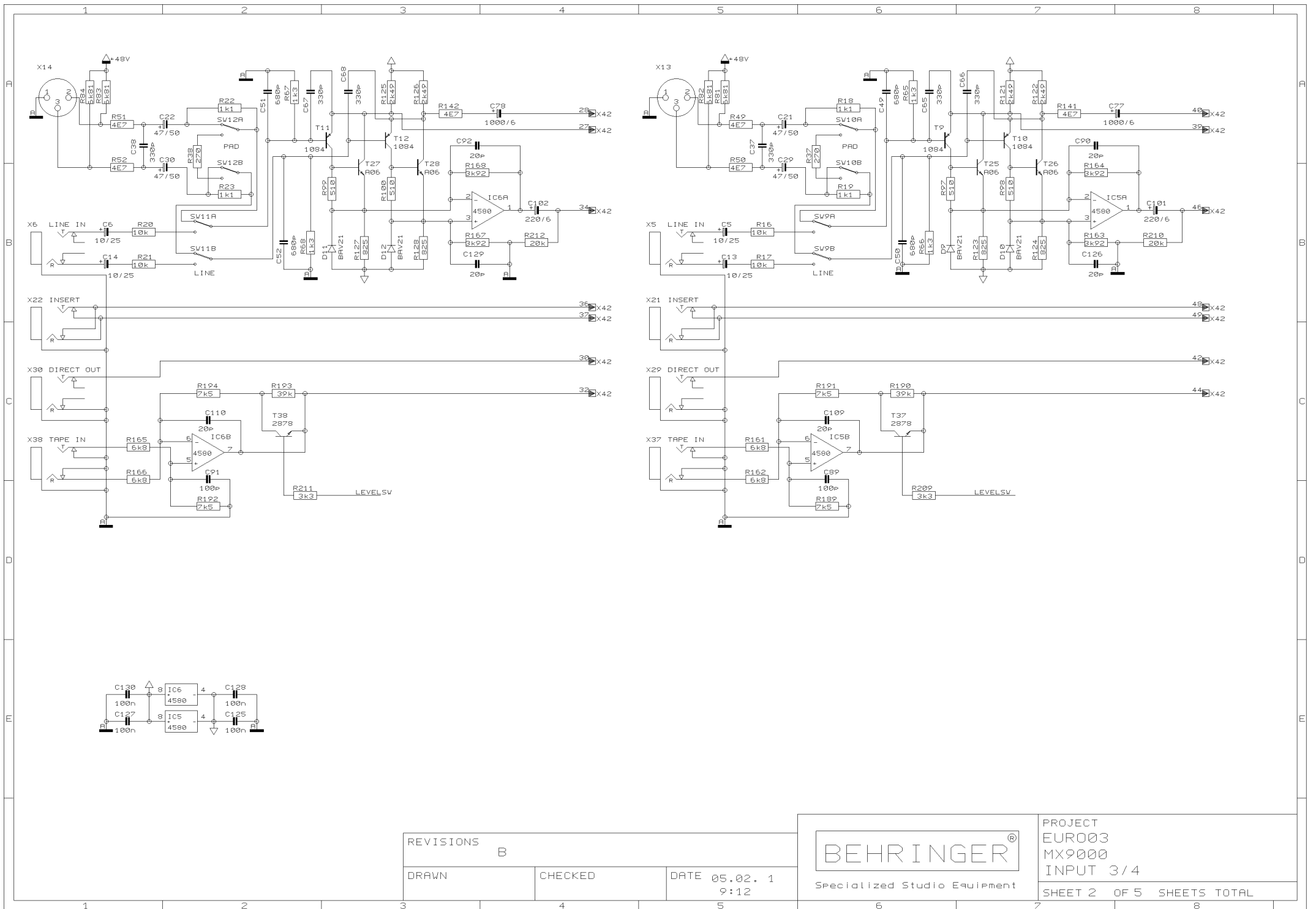
CHECKED

DATE 05.02. 1
9:12



PROJECT
EURO03
MX9000
INPUT 1/2

SHEET 1 OF 5 SHEETS TOTAL



REVISIONS

B

DRAWN

CHECKED

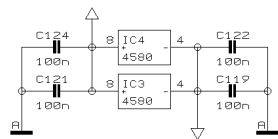
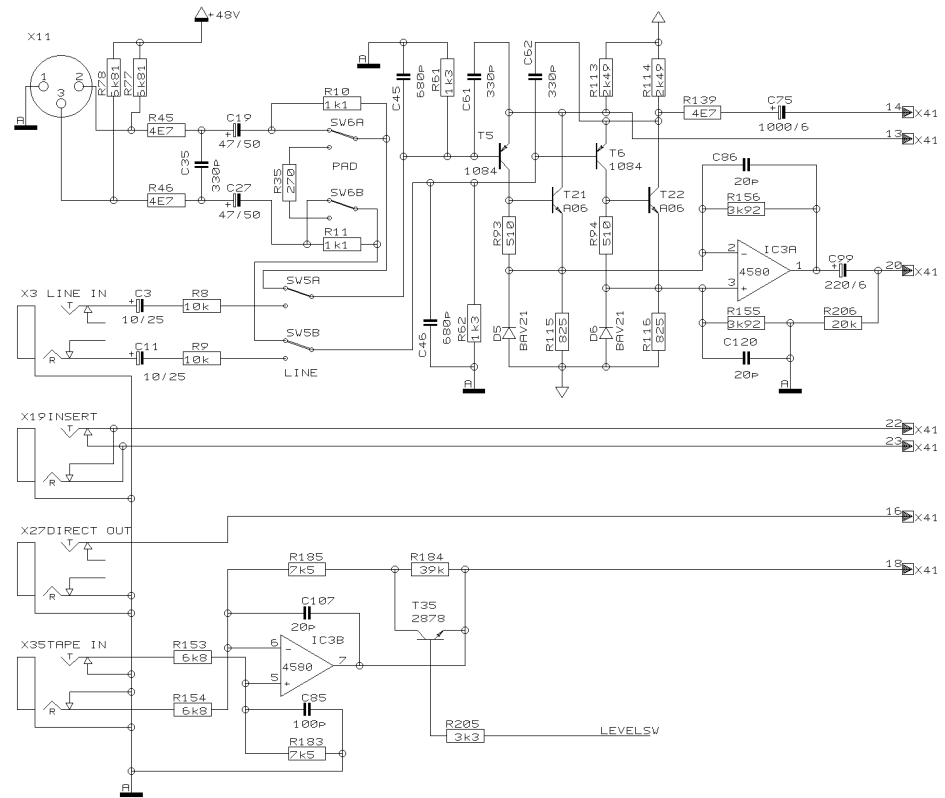
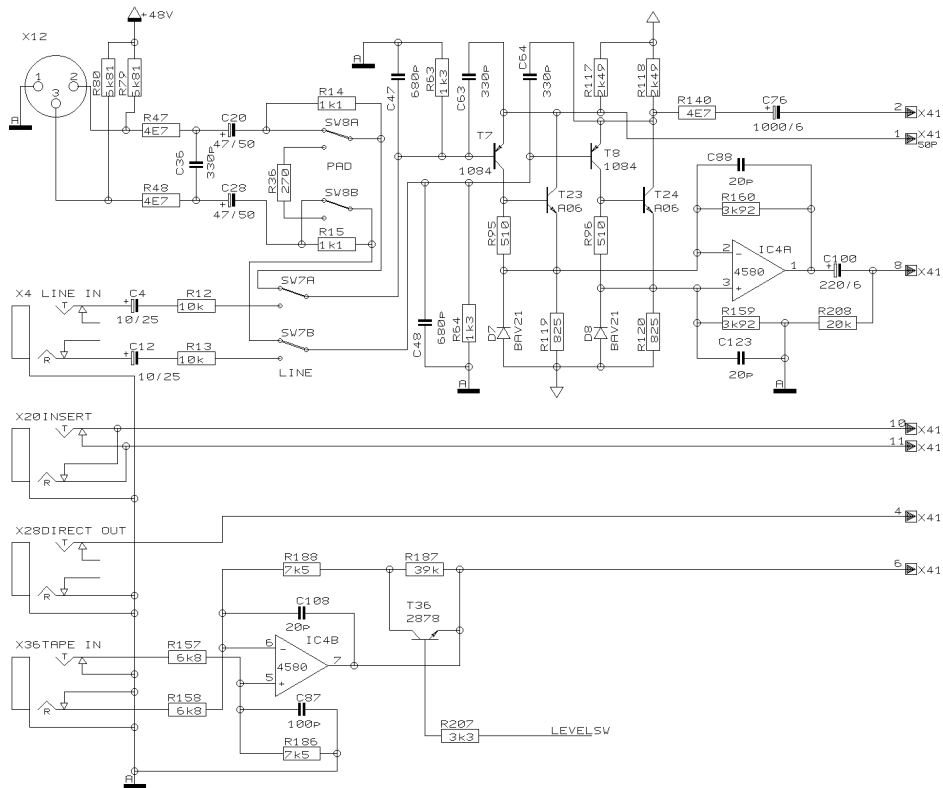
DATE 05.02. 1
9:12

BEHRINGER®

Specialized Studio Equipment

PROJECT
EURO03
MX9000
INPUT 3/4

SHEET 2 OF 5 SHEETS TOTAL



REVISIONS

B

DRAWN

CHECKED

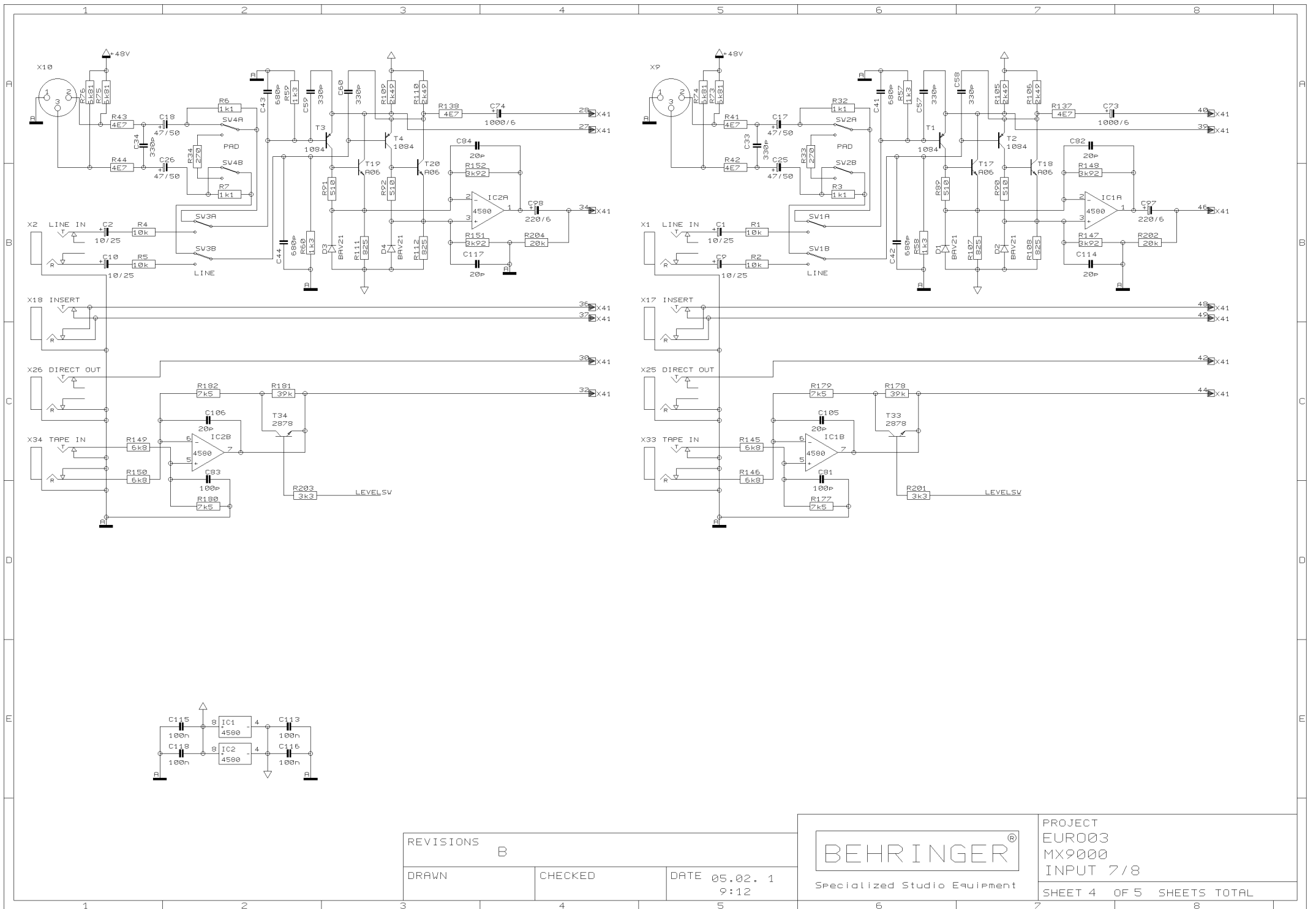
DATE 05.02. 1
9:12



Specialized Studio Equipment

PROJECT
EURO03
MX9000
INPUT 5/6

SHEET 3 OF 5 SHEETS TOTAL

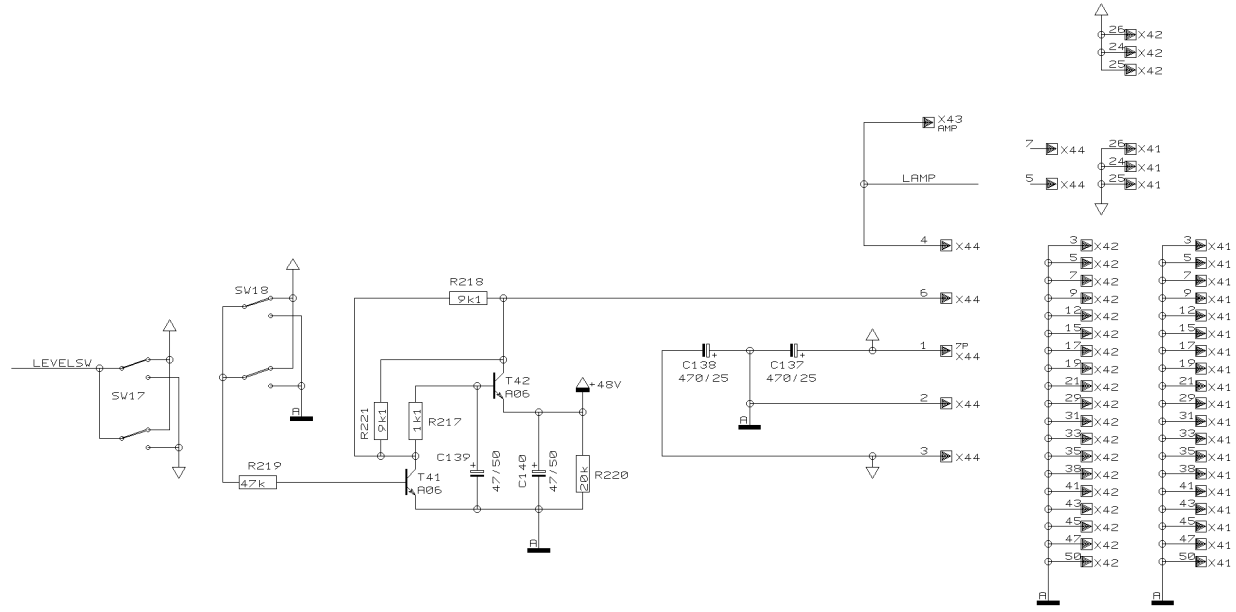


REVISIONS		
B		
DRAWN	CHECKED	DATE 05.02. 1 9:12



Specialized Studio Equipment

PROJECT	EURO03
MX9000	INPUT 7/8
SHEET 4 OF 5 SHEETS TOTAL	



REVISIONS

B

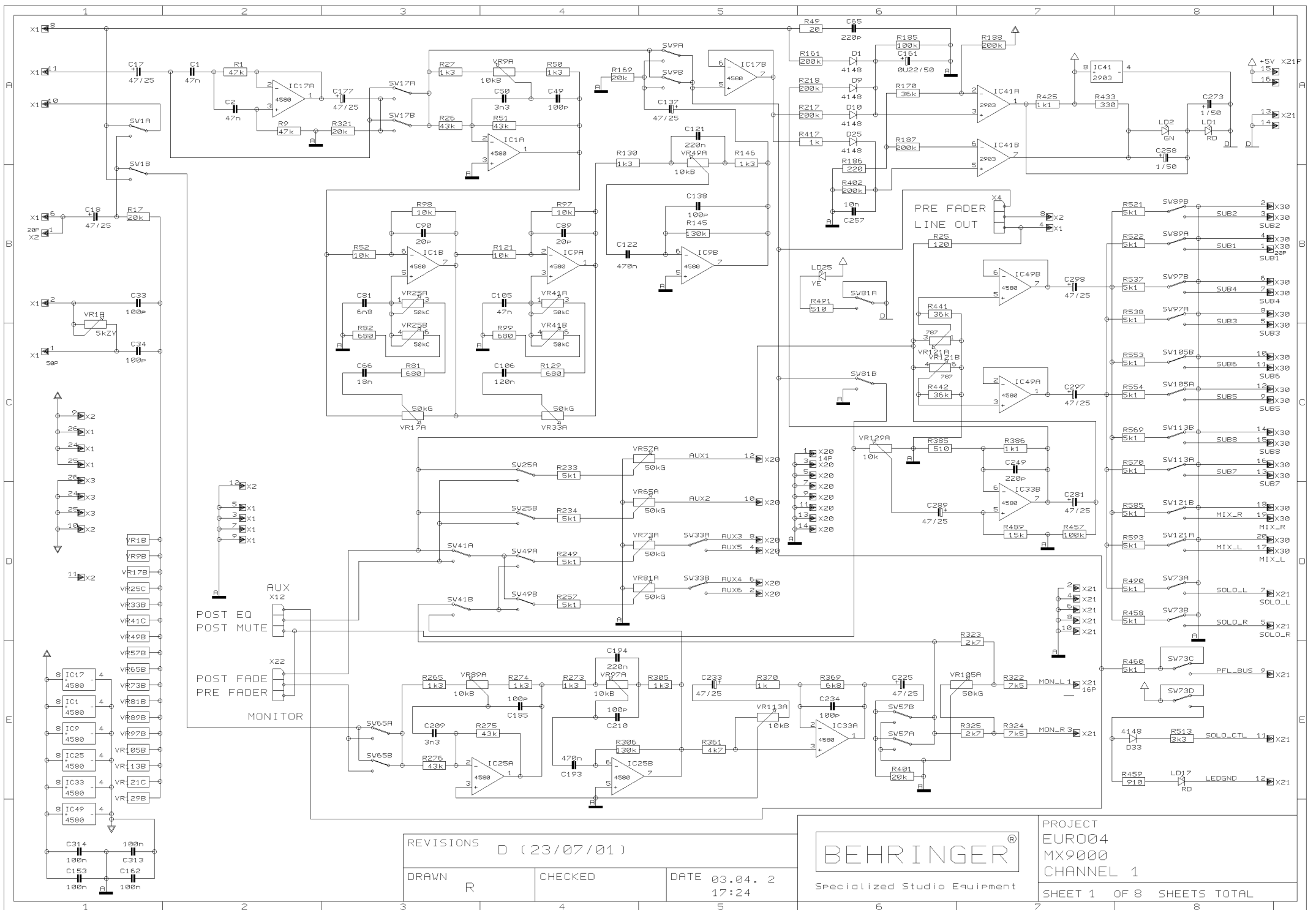
DRAWN

CHECKED

DATE 05.02. 1
9:12



PROJECT
EURO03
MX9000
POWER DISTRIBUTION
SHEET 5 OF 5 SHEETS TOTAL



REVISIONS D (23/07/01)

DRAWN R

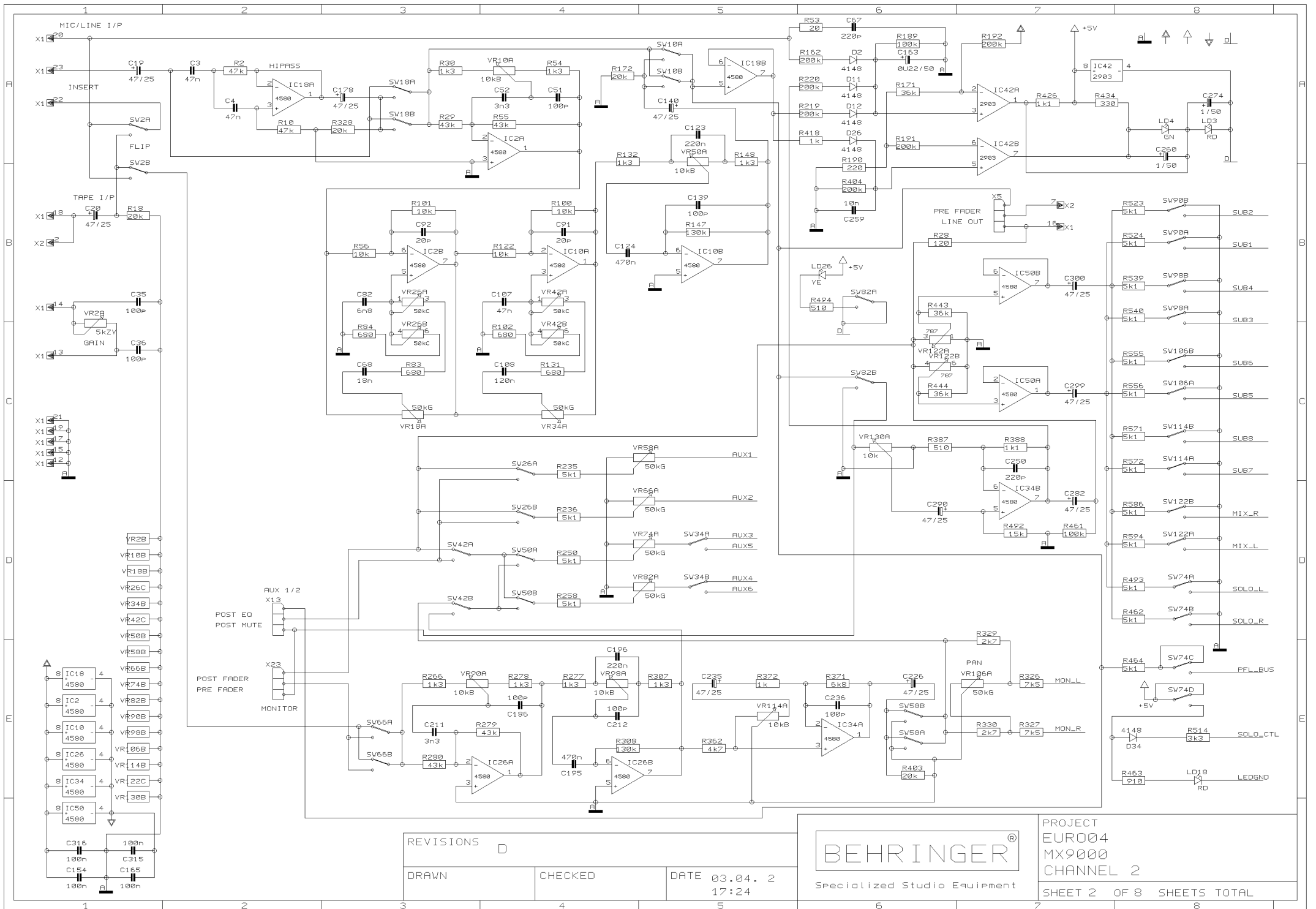
CHECKED

DATE 03.04. 2
17:24



PROJECT
EURO04
MX9000
CHANNEL 1

SHEET 1 OF 8 SHEETS TOTAL



REVISIONS D

DRAWN

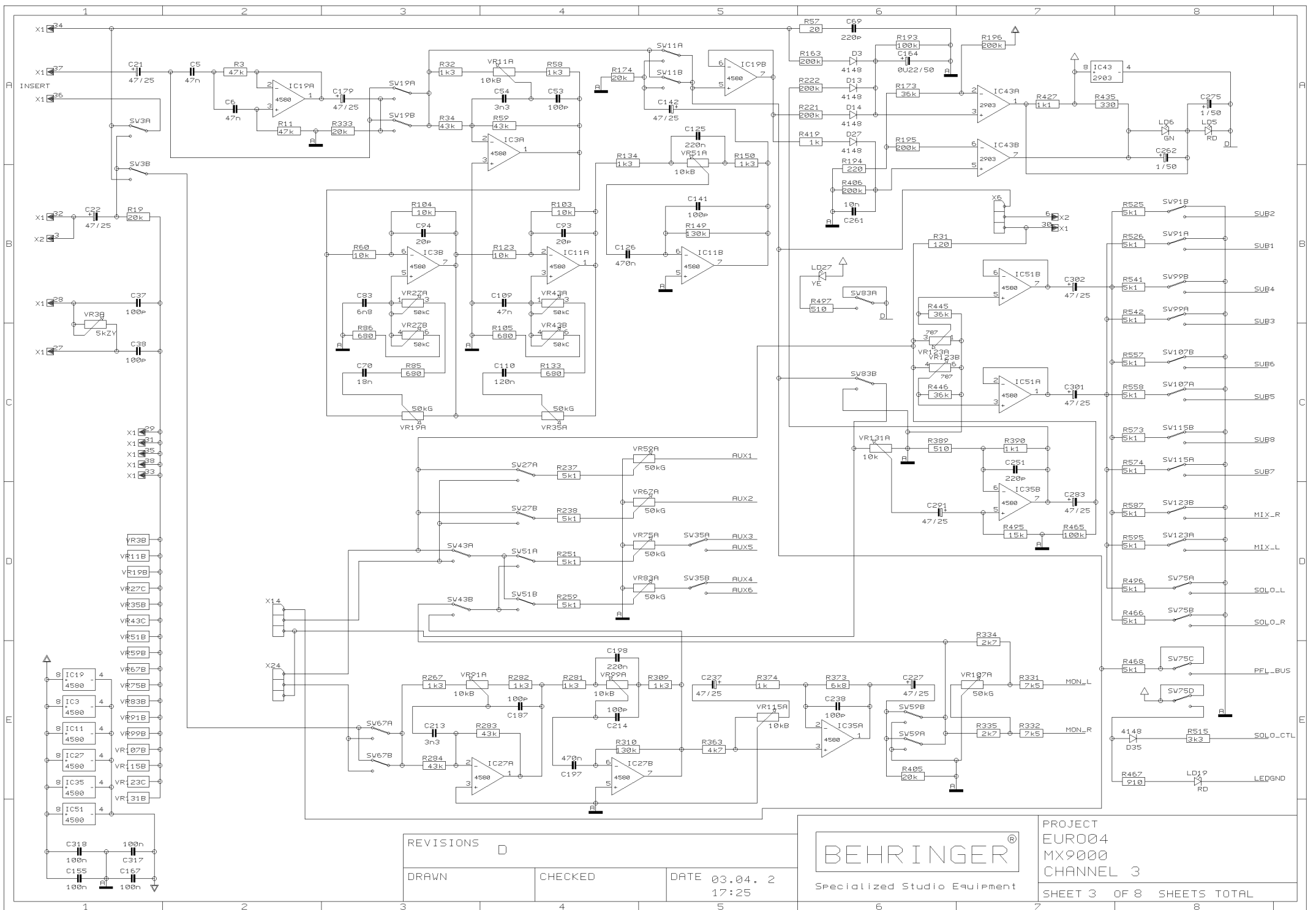
CHECKED

DATE 03.04. 2
17:24



PROJECT
EURO04
MX9000
CHANNEL 2

SHEET 2 OF 8 SHEETS TOTAL

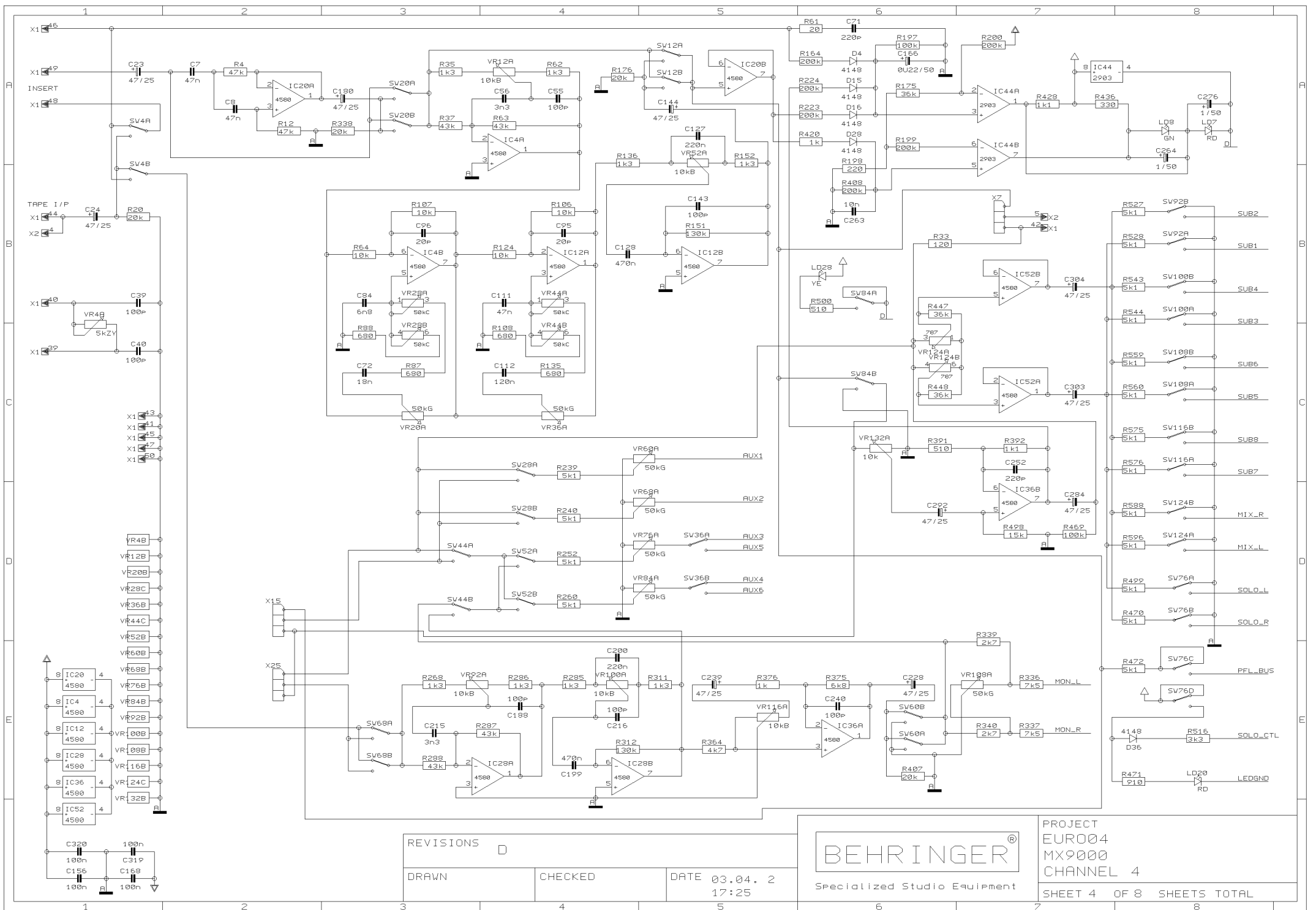


REVISIONS D

DRAWN CHECKED DATE 03.04.2 17:25



PROJECT EURO04
 MX9000
 CHANNEL 3
 SHEET 3 OF 8 SHEETS TOTAL



REVISIONS D

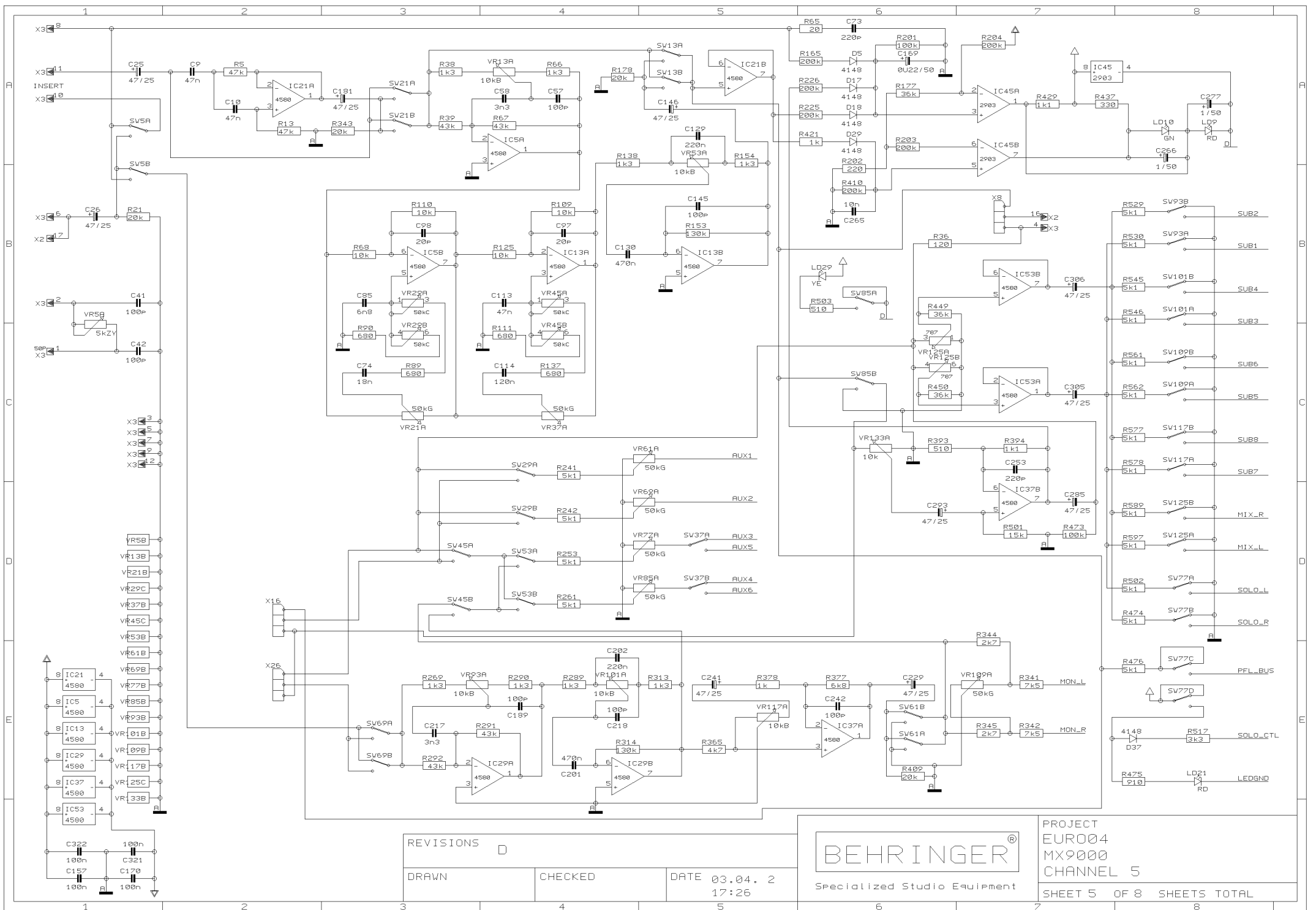
DRAWN

CHECKED

DATE 03.04. 2
17:25



PROJECT
EURO04
MX9000
CHANNEL 4
SHEET 4 OF 8 SHEETS TOTAL



REVISIONS D

DRAWN

CHECKED

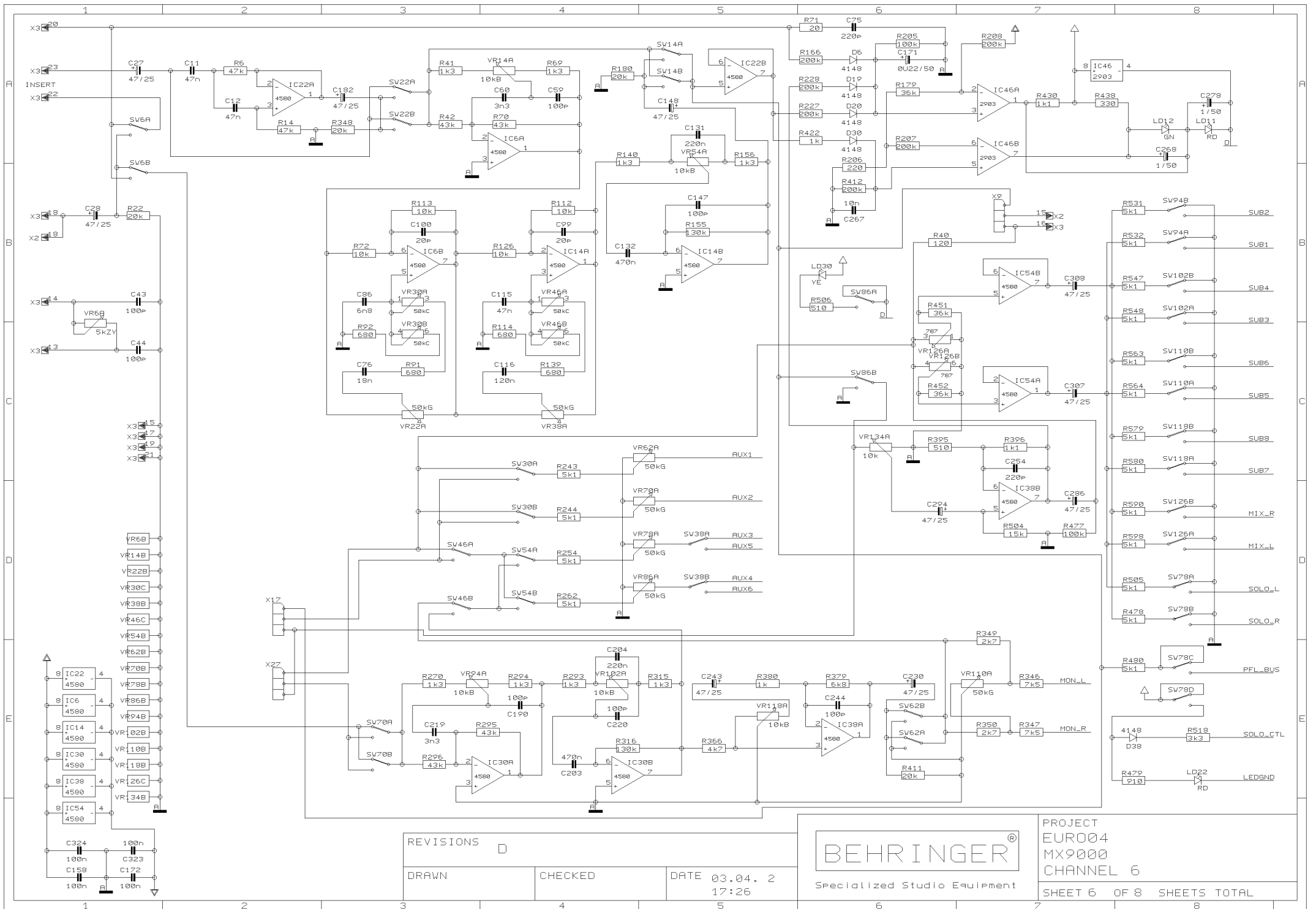
DATE 03.04. 2
17:26

BEHRINGER®

Specialized Studio Equipment

PROJECT
EURO04
MX9000
CHANNEL 5

SHEET 5 OF 8 SHEETS TOTAL



REVISIONS D

DRAWN

CHECKED

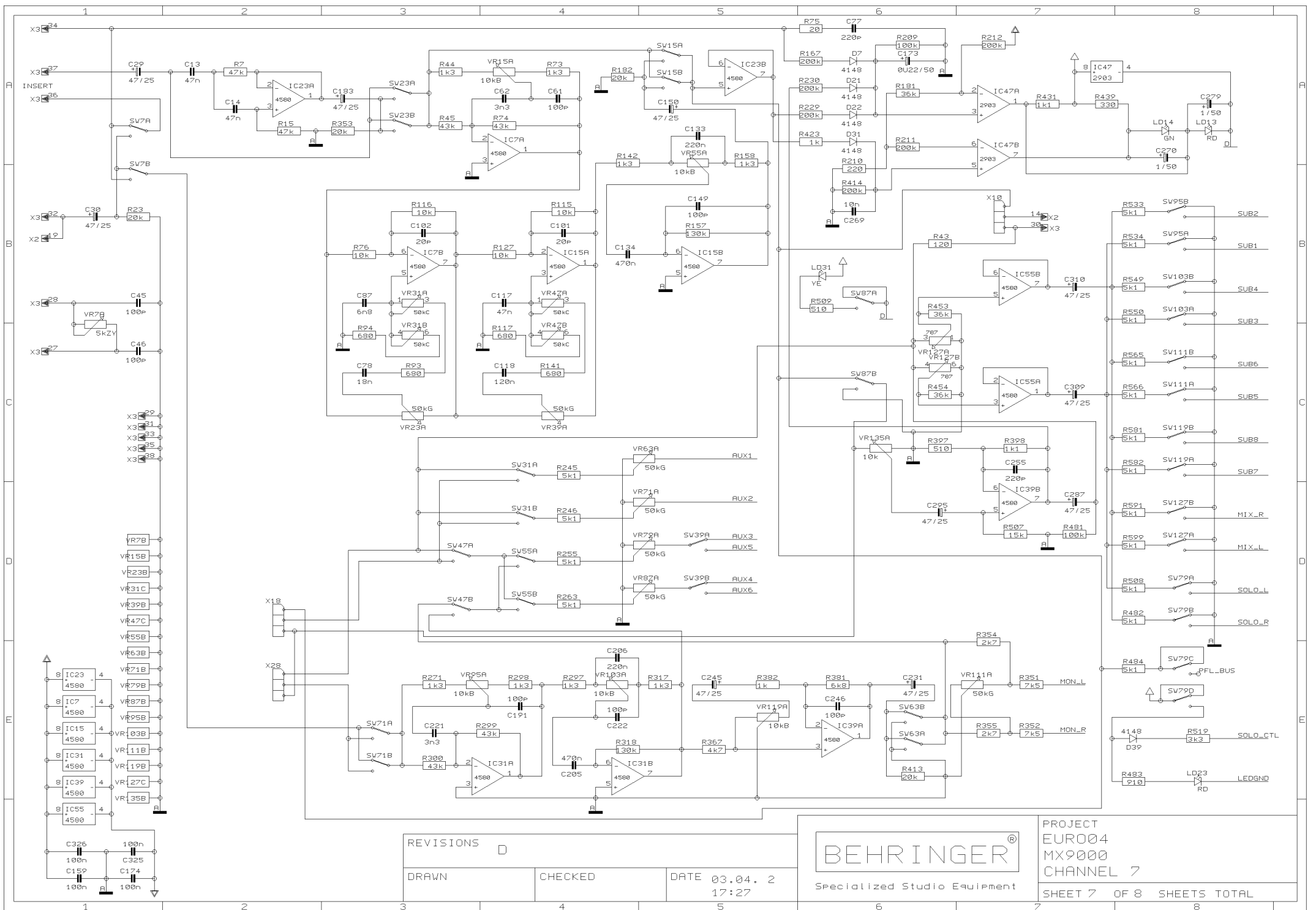
DATE 03.04. 2
17:26

BEHRINGER®

Specialized Studio Equipment

PROJECT
EURO04
MX9000
CHANNEL 6

SHEET 6 OF 8 SHEETS TOTAL



REVISIONS

D

DRAWN

CHECKED

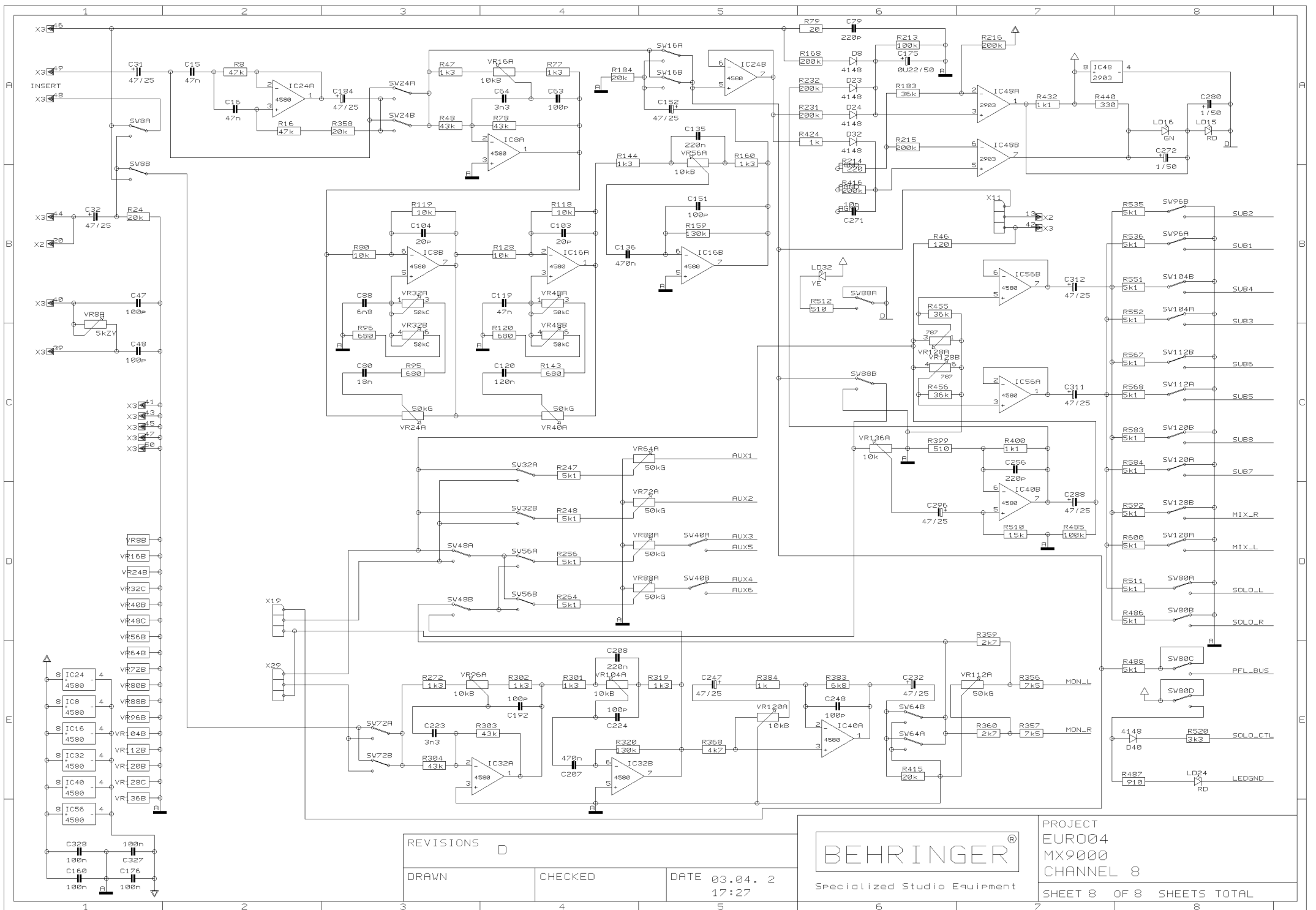
DATE 03.04. 2
17:27

BEHRINGER®

Specialized Studio Equipment

PROJECT
EURO04
MX9000
CHANNEL 7

SHEET 7 OF 8 SHEETS TOTAL



REVISIONS

D

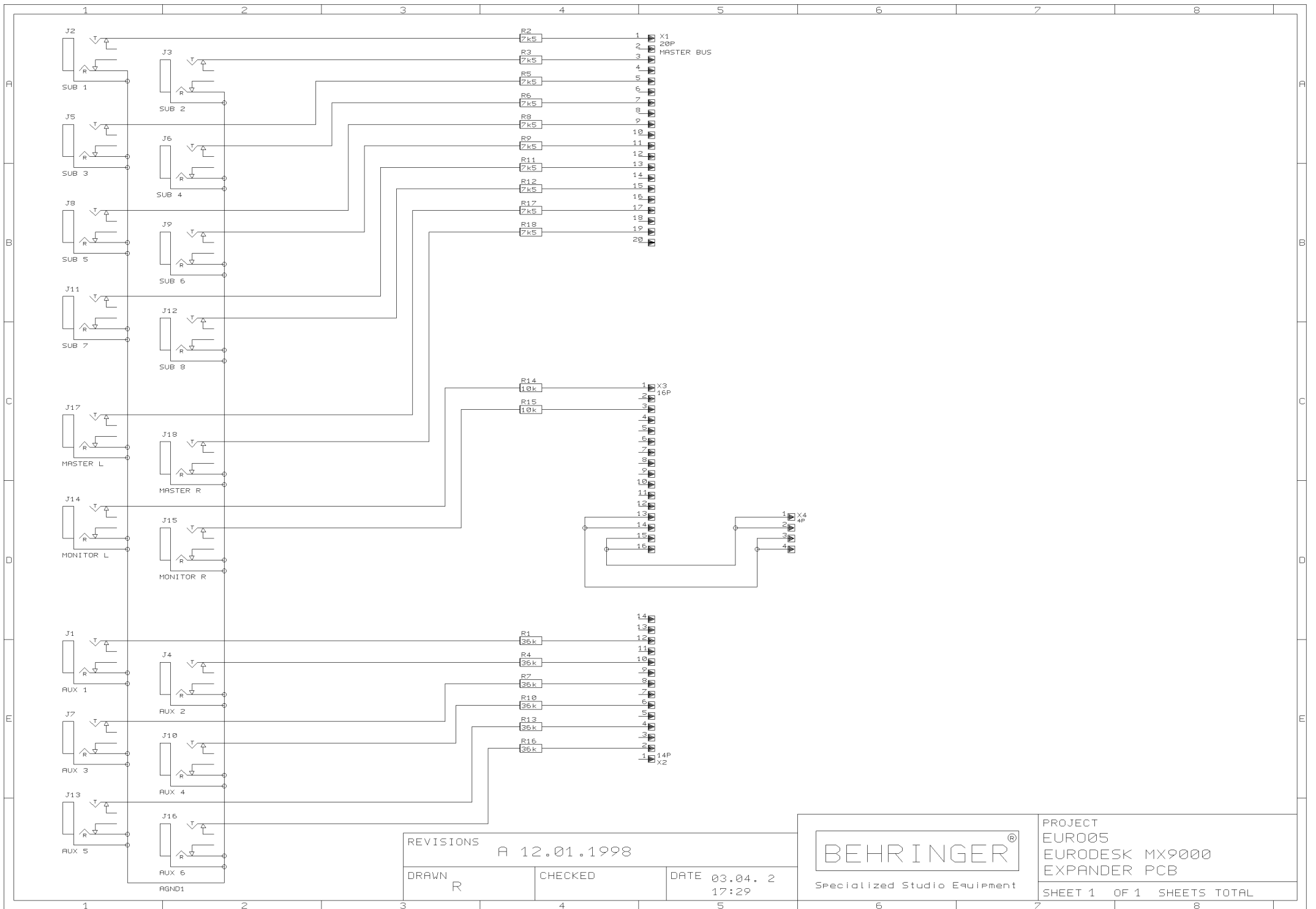
DRAWN

CHECKED

DATE 03.04. 2
17:27



PROJECT
EURO04
MX9000
CHANNEL 8
SHEET 8 OF 8 SHEETS TOTAL



REVISIONS A 12.01.1998

DRAWN R

CHECKED

DATE 03.04. 2
17:29

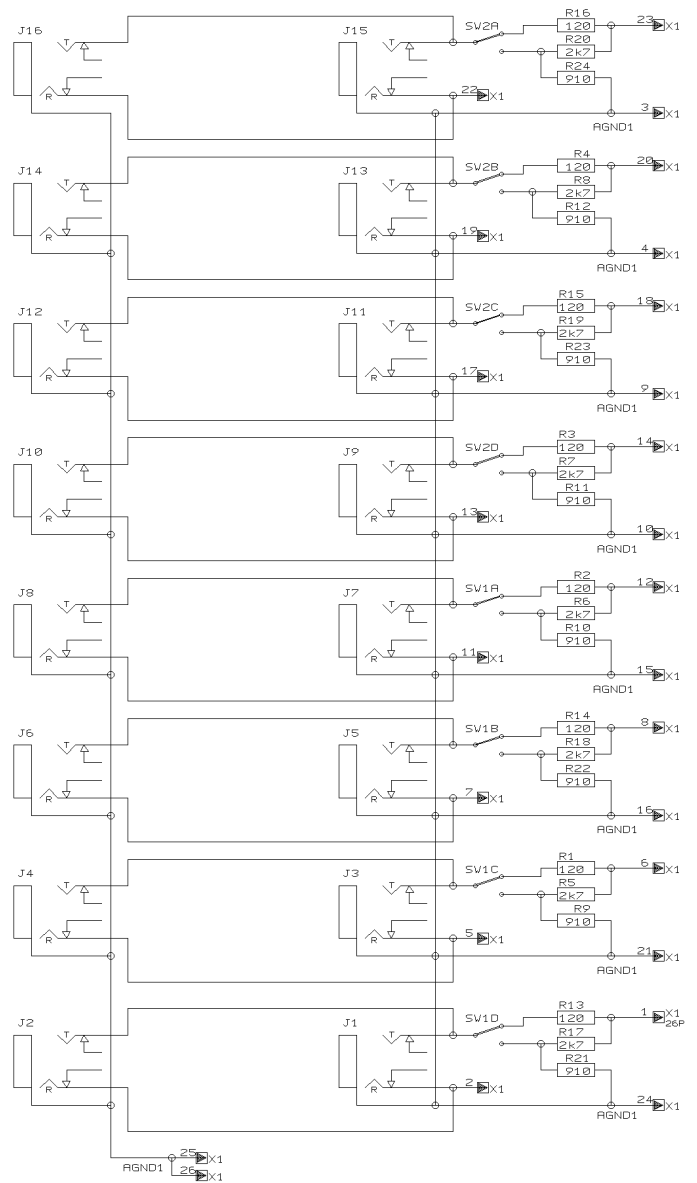


PROJECT
EURO05
EURODESK MX9000
EXPANDER PCB

SHEET 1 OF 1 SHEETS TOTAL

SUBGROUP OUT

TO X10 ON EURO02/MASTER



REVISIONS

A

DRAWN

CHECKED

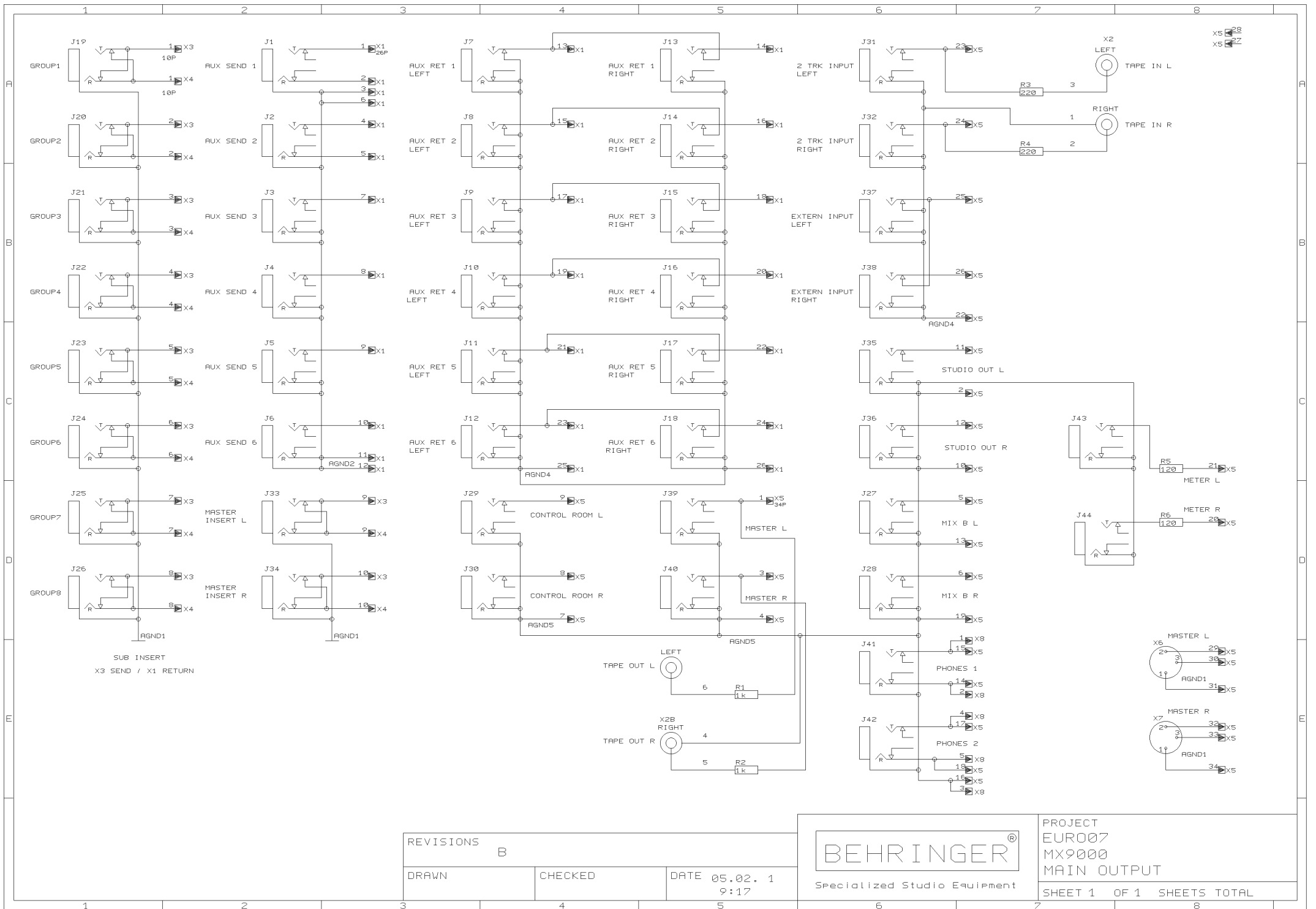
DATE 05.02. 1
9:16

BEHRINGER®

Specialized Studio Equipment

PROJECT
EURO06
EURODESK MX9000
OUTPUT BOARD

SHEET 1 OF 1 SHEETS TOTAL



REVISIONS

B

DRAWN

CHECKED

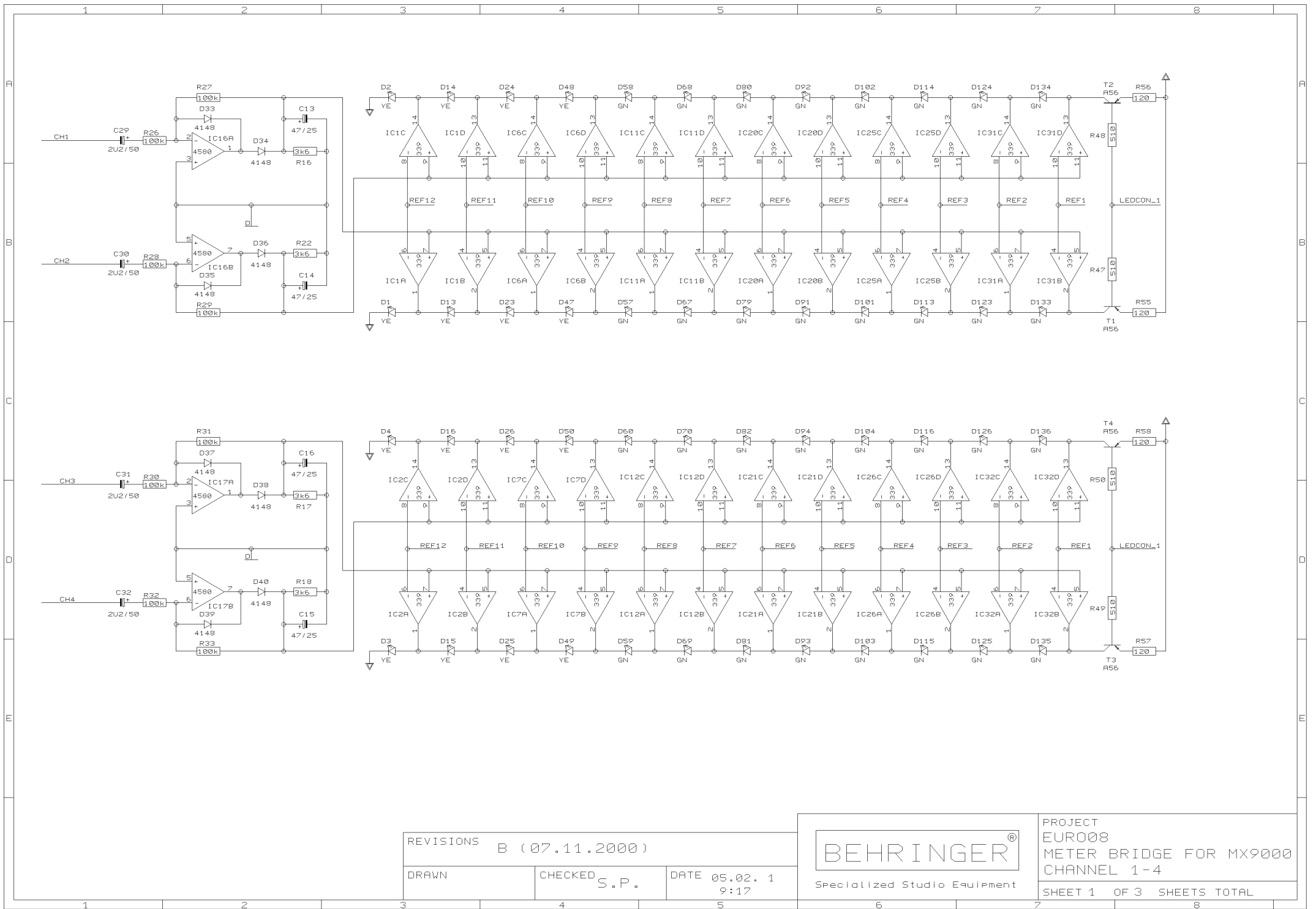
DATE 05.02. 1
9:17



Specialized Studio Equipment

PROJECT
EURO07
MX9000
MAIN OUTPUT

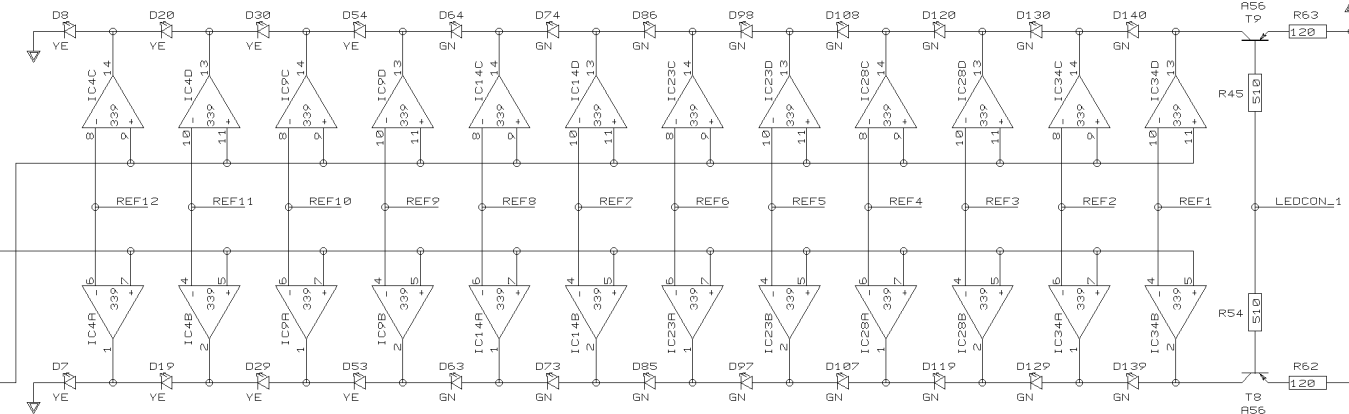
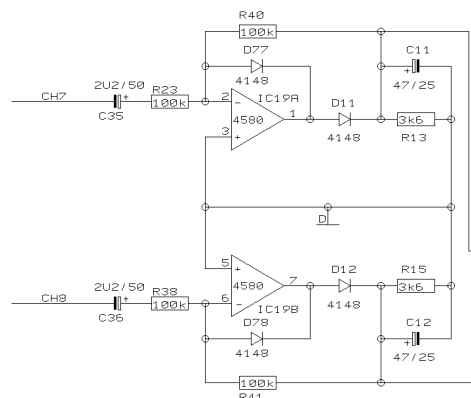
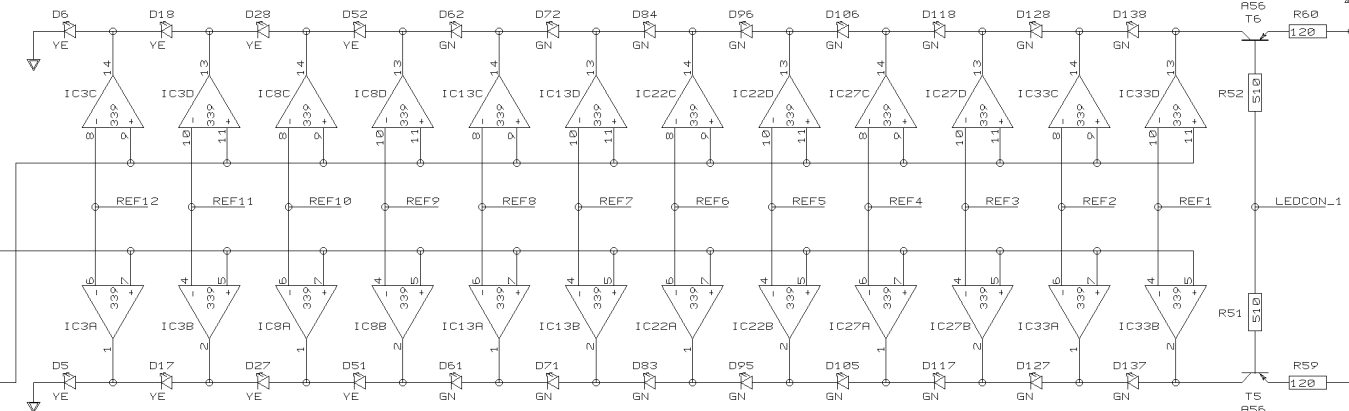
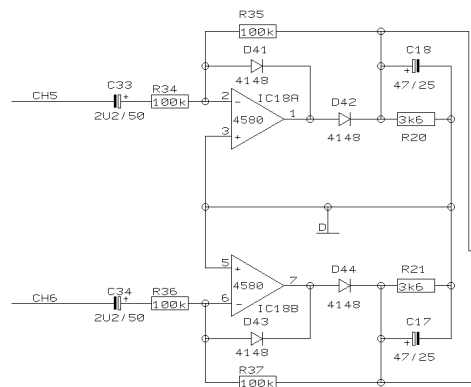
SHEET 1 OF 1 SHEETS TOTAL



REVISIONS B (07.11.2000)		
DRAWN	CHECKED S.P.	DATE 05.02. 19:17



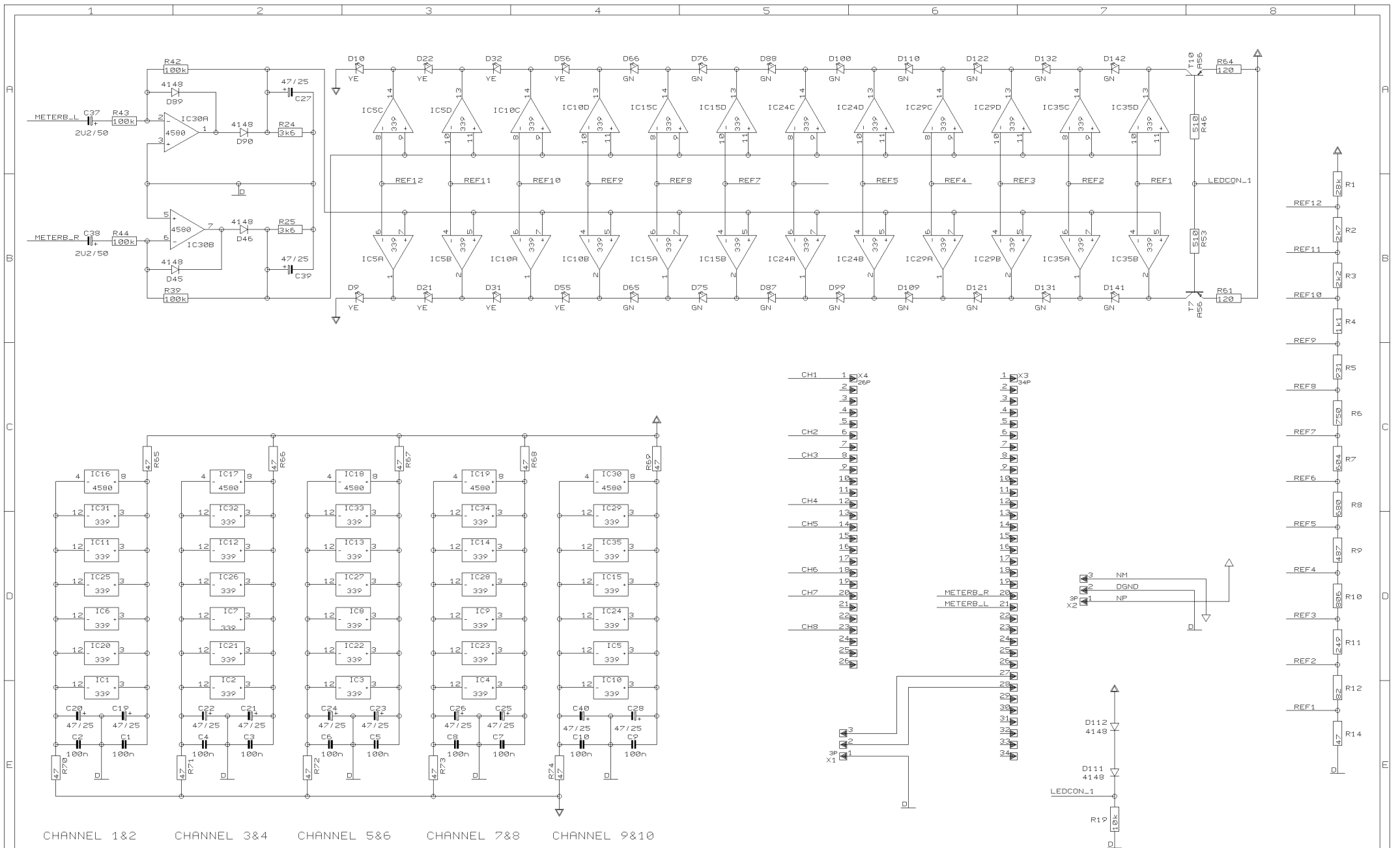
PROJECT
 EURO08
 METER BRIDGE FOR MX9000
 CHANNEL 1-4
 SHEET 1 OF 3 SHEETS TOTAL



REVISIONS		B
DRAWN	CHECKED	DATE 05.02. 1 9:17



PROJECT
EURO08
METER BRIDGE FOR MX9000
CHANNEL 5-8
SHEET 2 OF 3 SHEETS TOTAL



CHANNEL 1&2 CHANNEL 3&4 CHANNEL 5&6 CHANNEL 7&8 CHANNEL 9&10

REVISIONS

B

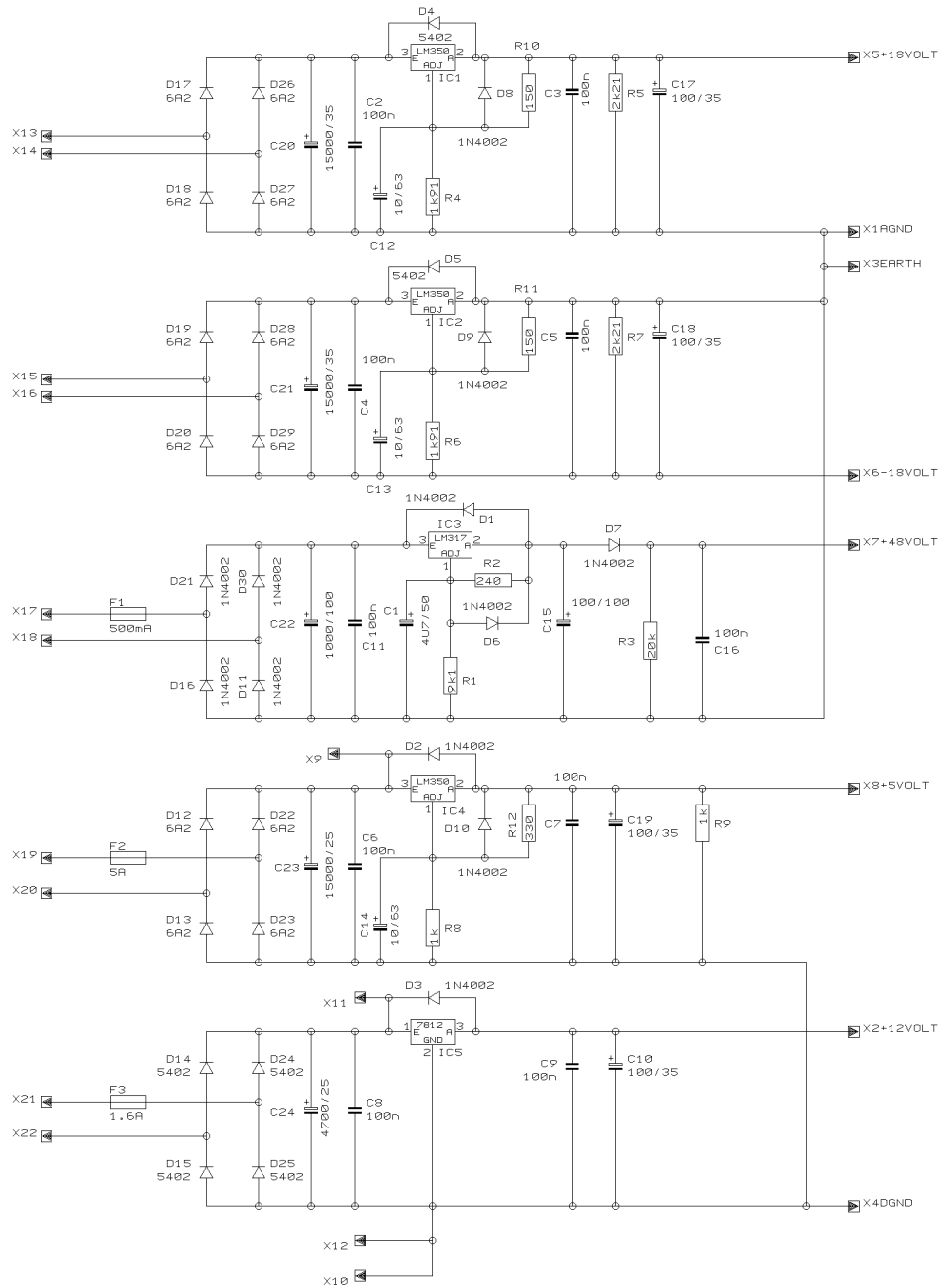
DRAWN

CHECKED

DATE 05.02. 1
9:17



PROJECT
EURO08
METER BRIDGE FOR MX9000
CHANNEL 9&10 + P-SUPPLY
SHEET 3 OF 3 SHEETS TOTAL

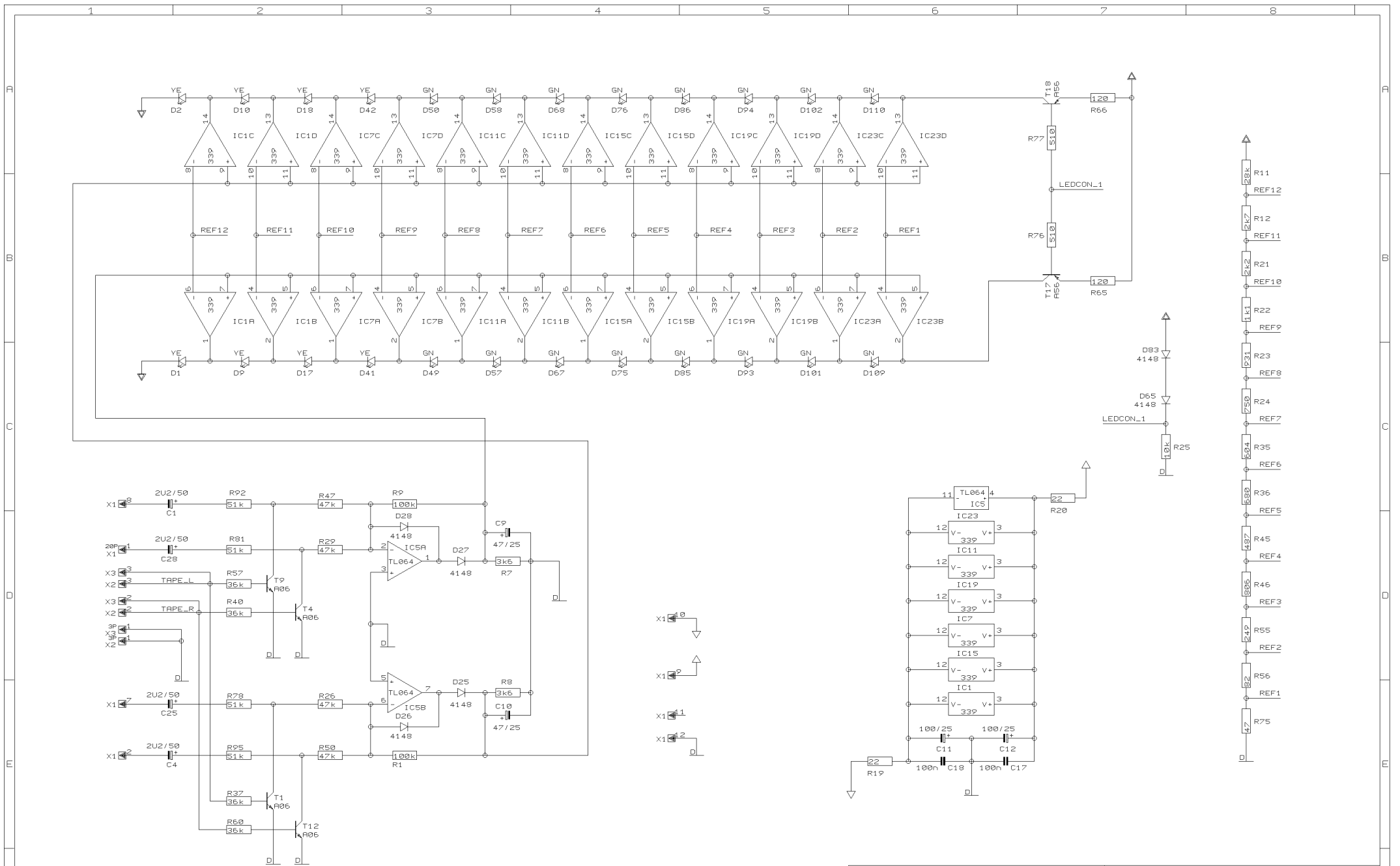


REVISIONS

REVISIONS	F
DRAWN	UB
CHECKED	
DATE	05.02. 19:19



PROJECT
 EURO09
 EURODESK MX8000
 POWER SUPPLY
 SHEET 1 OF 1 SHEETS TOTAL



REVISIONS C (07.11.2000)

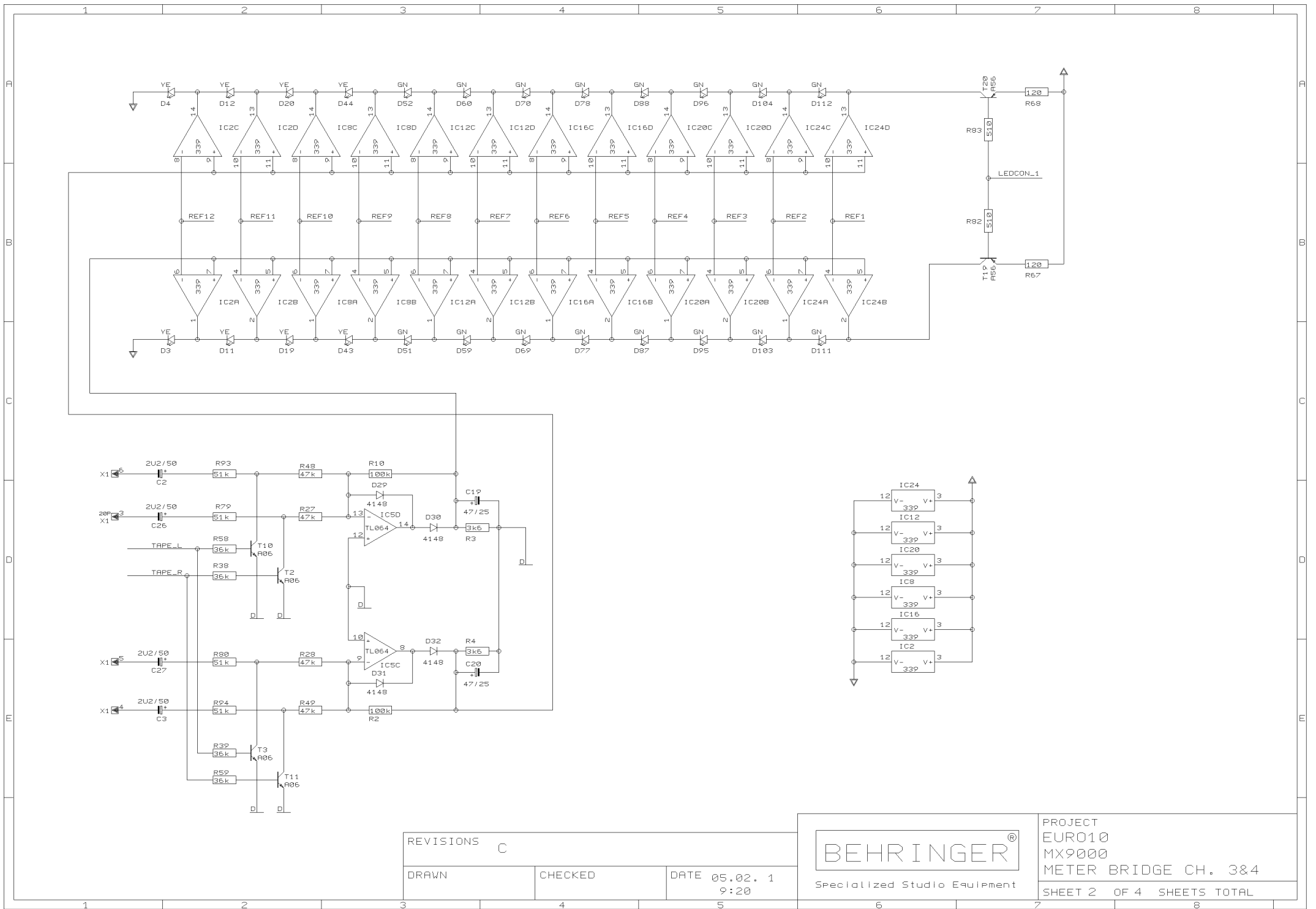
DRAWN

CHECKED

DATE 05.02. 1
9:20

BEHRINGER[®]
Specialized Studio Equipment

PROJECT
EURO10
MX9000
METER BRIDGE CH. 1&2
SHEET 1 OF 4 SHEETS TOTAL



REVISIONS C

DRAWN

CHECKED

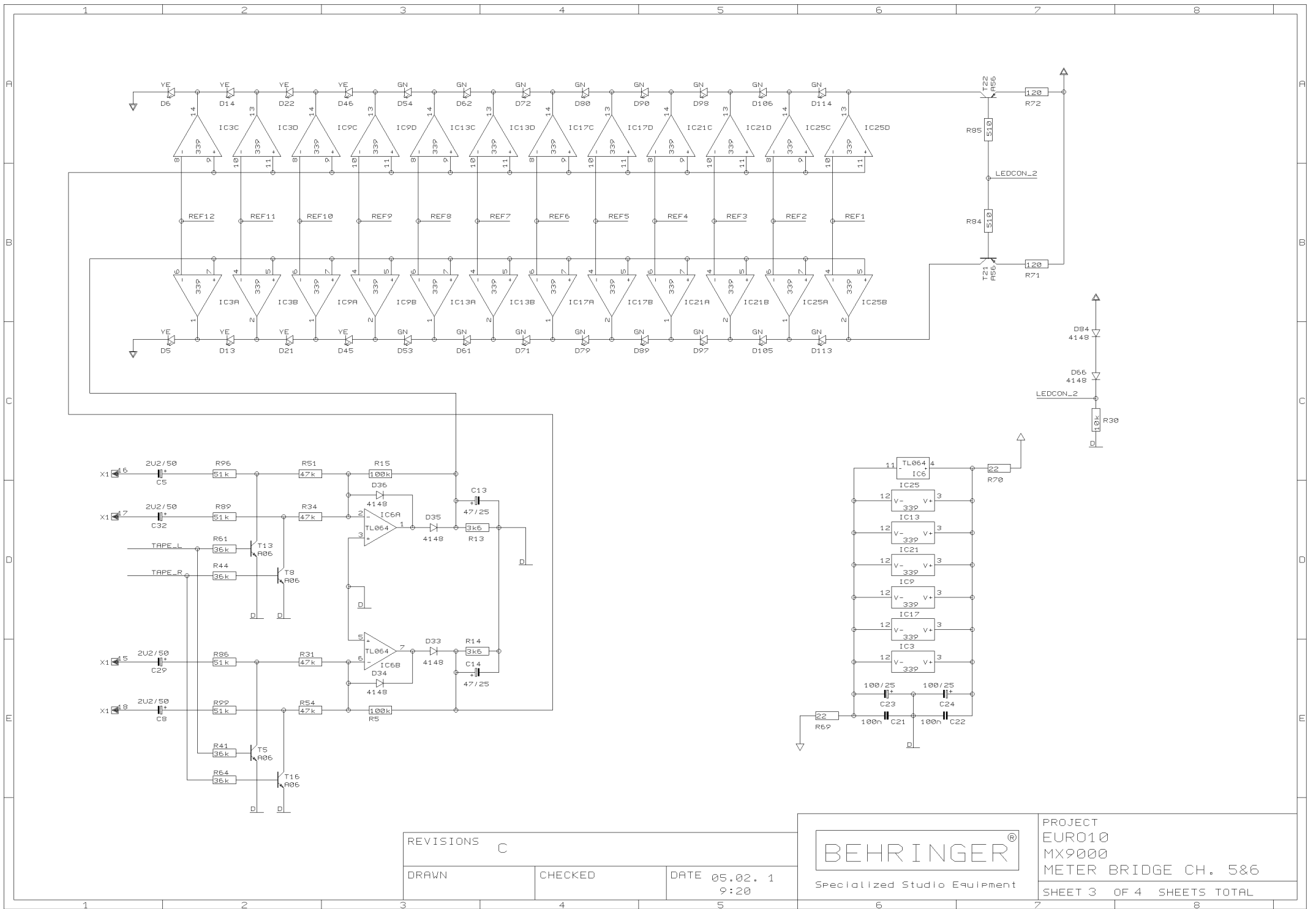
DATE 05.02. 1
9:20

BEHRINGER®

Specialized Studio Equipment

PROJECT
EURO10
MX9000
METER BRIDGE CH. 3&4

SHEET 2 OF 4 SHEETS TOTAL



REVISIONS C

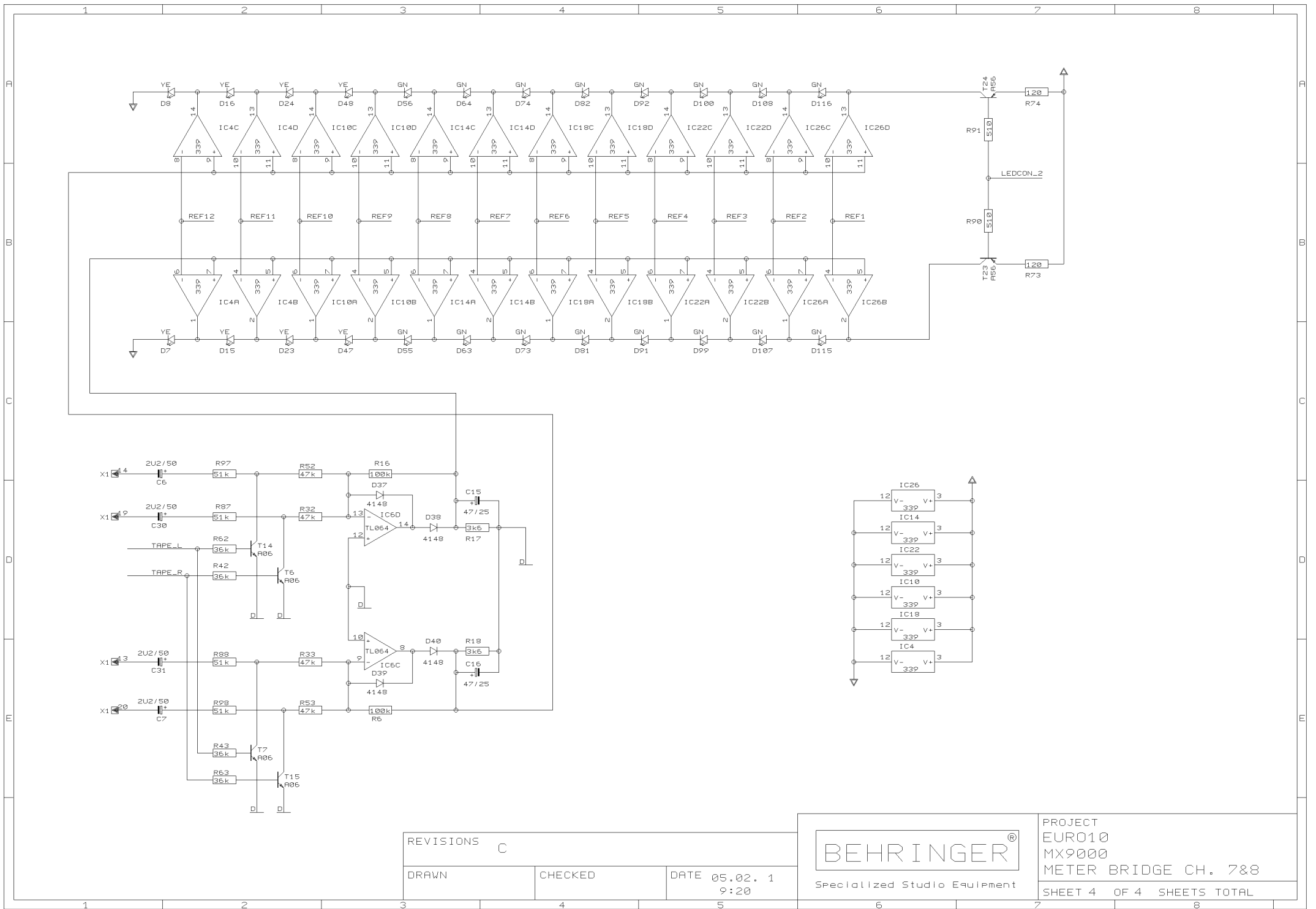
DRAWN

CHECKED

DATE 05.02. 1
9:20



PROJECT
EURO10
MX9000
METER BRIDGE CH. 5&6
SHEET 3 OF 4 SHEETS TOTAL



REVISIONS C

DRAWN

CHECKED

DATE 05.02. 1
9:20



PROJECT
EURO10
MX9000
METER BRIDGE CH. 7&8
SHEET 4 OF 4 SHEETS TOTAL

MX8000
MX9000

DC POWER IN	
E	+ 18 V --
F	- 18 V --
D	+ 48V --
B	+ 18 V —
A	+ 5 V --

